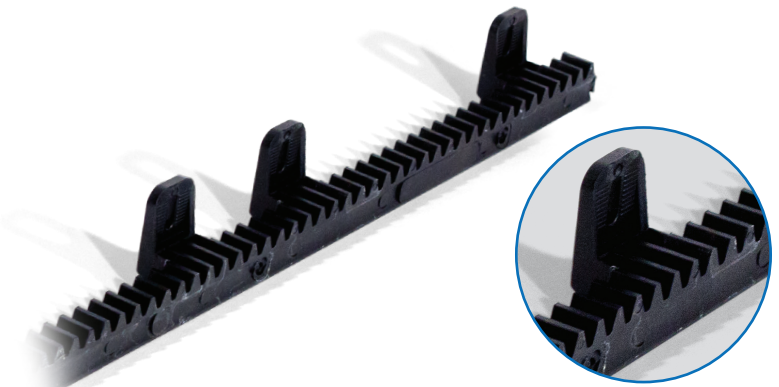


GEAR RACKS

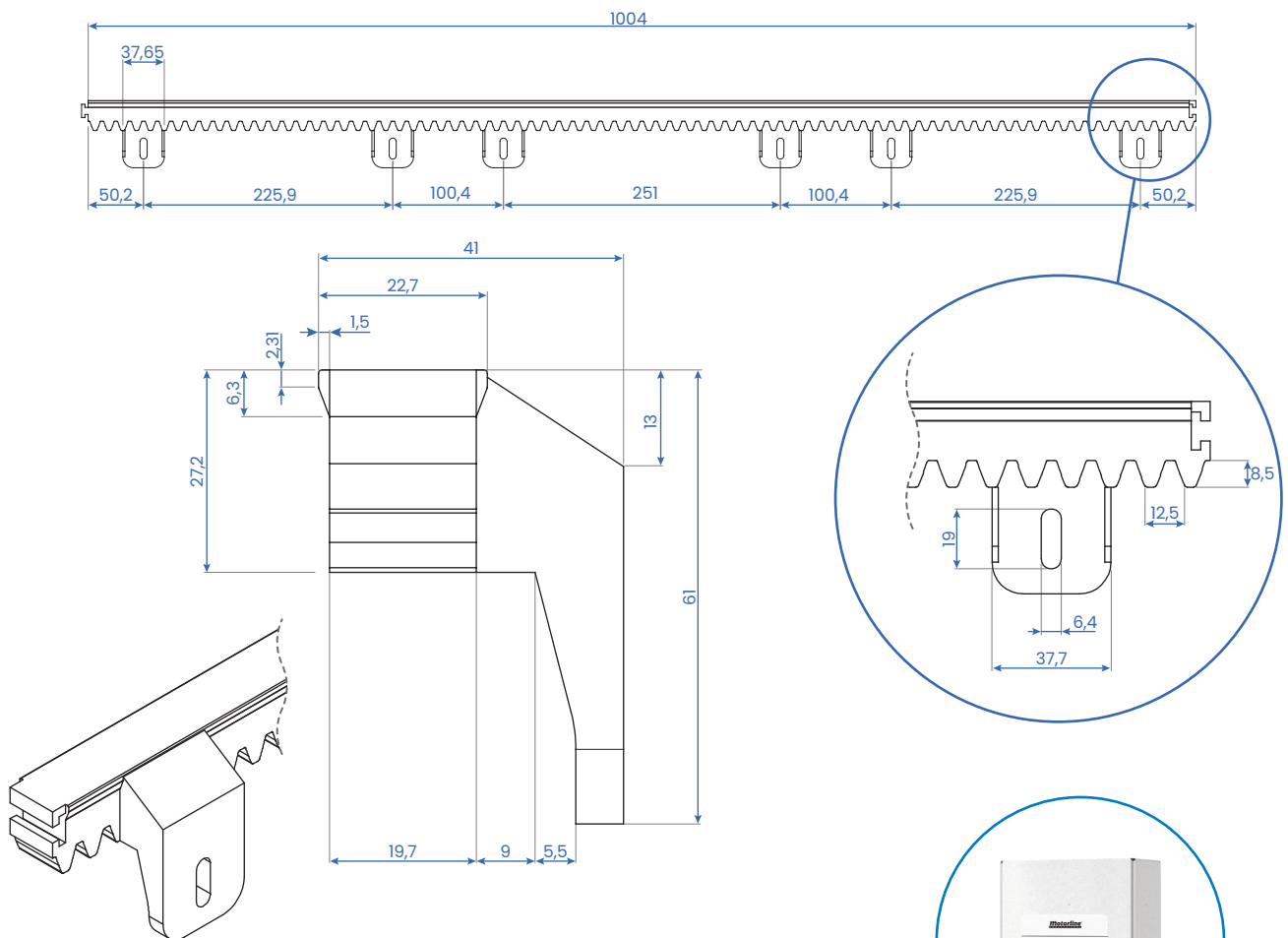
Product Data Sheet

CRM5

- Nylon gear rack with steel interior (1m).
- *Fixing screws not included.



Reference	Maximum weight	Single length	Material
CRM5	800Kg	1m	Aço revestido a nylon



MCP24

- Box with 24 screws and 24 washers to 4m CRM5 gear rack.

