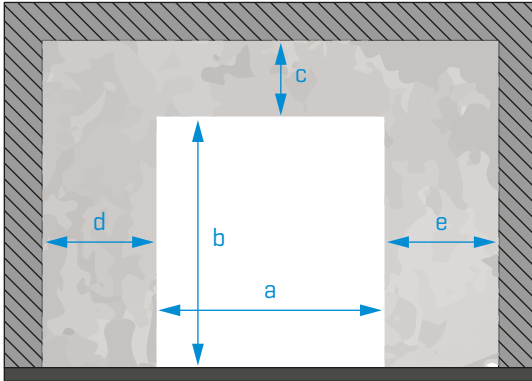


Client: _____

Date: _____ / _____ / _____

Delivery desired date: _____ / _____ / _____

01. INSTALLATION LOCAL



Quantity

Local dimensions (mm):

← follow scheme

MANDATORY FILLING

a

b

c

d

e

Maneuvers board and motor position:

Left Right

Installation in Tunnel

Structure color:

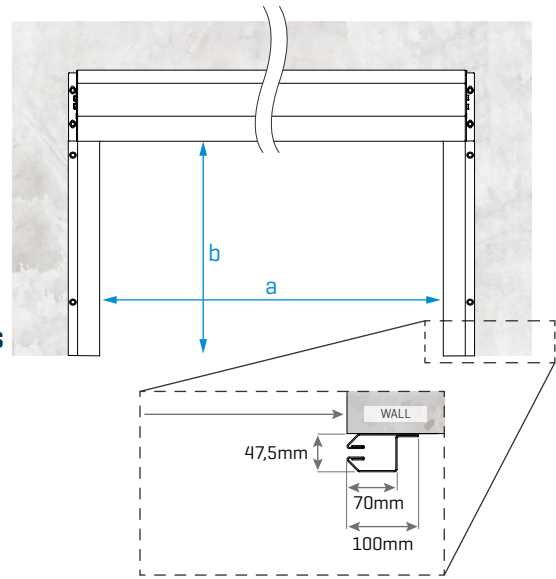
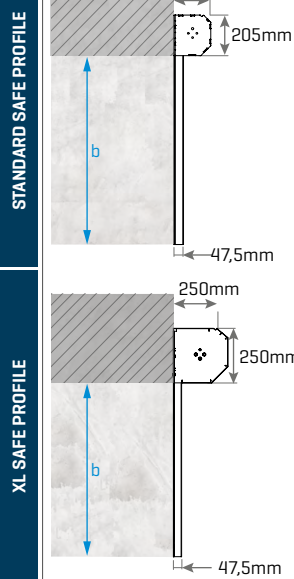
THE STANDARD FINISH IS TEXTURED.
IF YOU WISH ANOTHER TYPE OF FINISHING,
PLEASE MENTION BELOW.

MANDATORY FILLING

RAL:

02. DIMENSIONS

FIXATION OUT OF PASSAGE SPAN



FIXATION INSIDE OF PASSAGE SPAN (TUNNEL)

