

Client:

Customer Ref.:

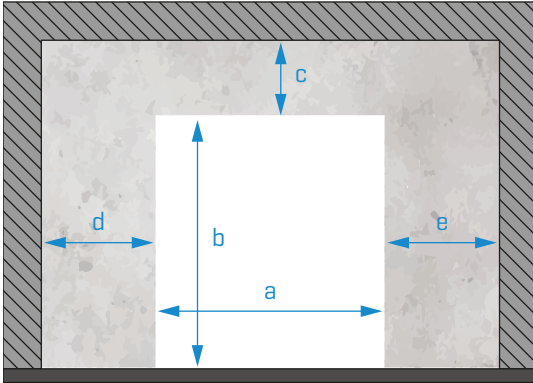
Date:

 / /

Desired supply date:

 / /

01. INSTALLATION AREA



Quantity

Local dimensions (mm):

MANDATORY FILLING

a

b

c

d

e

PVC color:

<input type="checkbox"/> 5013	<input type="checkbox"/> 5002	<input type="checkbox"/> 5015
<input type="checkbox"/> 6026	<input type="checkbox"/> 3002	<input type="checkbox"/> 2004
<input type="checkbox"/> 1003	<input type="checkbox"/> 1015	<input type="checkbox"/> 9005
<input type="checkbox"/> 7037	<input type="checkbox"/> 7038	<input type="checkbox"/> 7035
<input type="checkbox"/> 9016	<input type="checkbox"/> 5010	<input type="checkbox"/> 7016

Other:

Additional devices:

- MPR020
- Tunnel kit
- UPS (Price on request)
- Magnetic loop - **Model:**
- Remote control - **Model:**
- Radars - **Model:**

Without transparent strip
Mark if you *do not want* transparent strip

Printing [optional] :

- Safe profile side
- Opposite side of the safe profile

All doors are lacquered in RAL9010 Textured

If you want another colour or finish, please mention here:

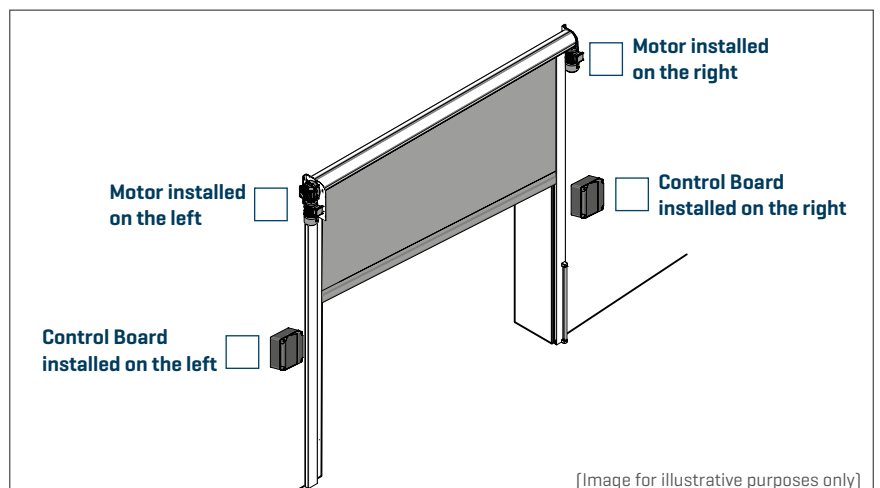
- STAINLESS STEEL 304
- STAINLESS STEEL 316

Other Options:

OBSERVATIONS:

IN THIS SPACE YOU SHOULD DESCRIBE EVERYTHING YOU FIND RELEVANT TO THE AUTOMATISM PRODUCTION

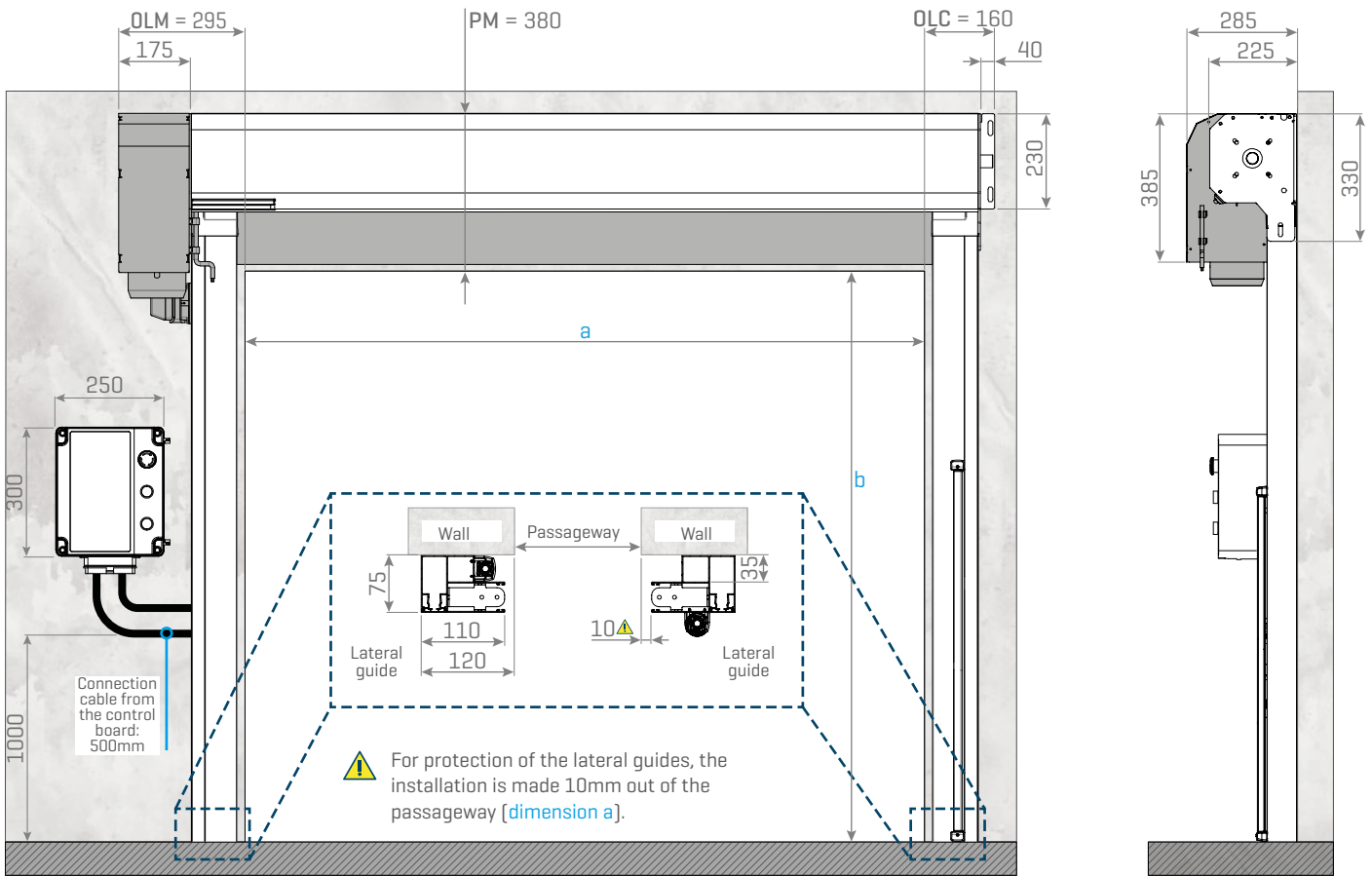
MOTOR AND CONTROL BOARD POSITION:



IN THIS SPACE YOU SHOULD DRAW EVERYTHING YOU FIND RELEVANT TO THE AUTOMATISM PRODUCTION

02. TECHNICAL DRAWING - ECO [NORMAL KIT]

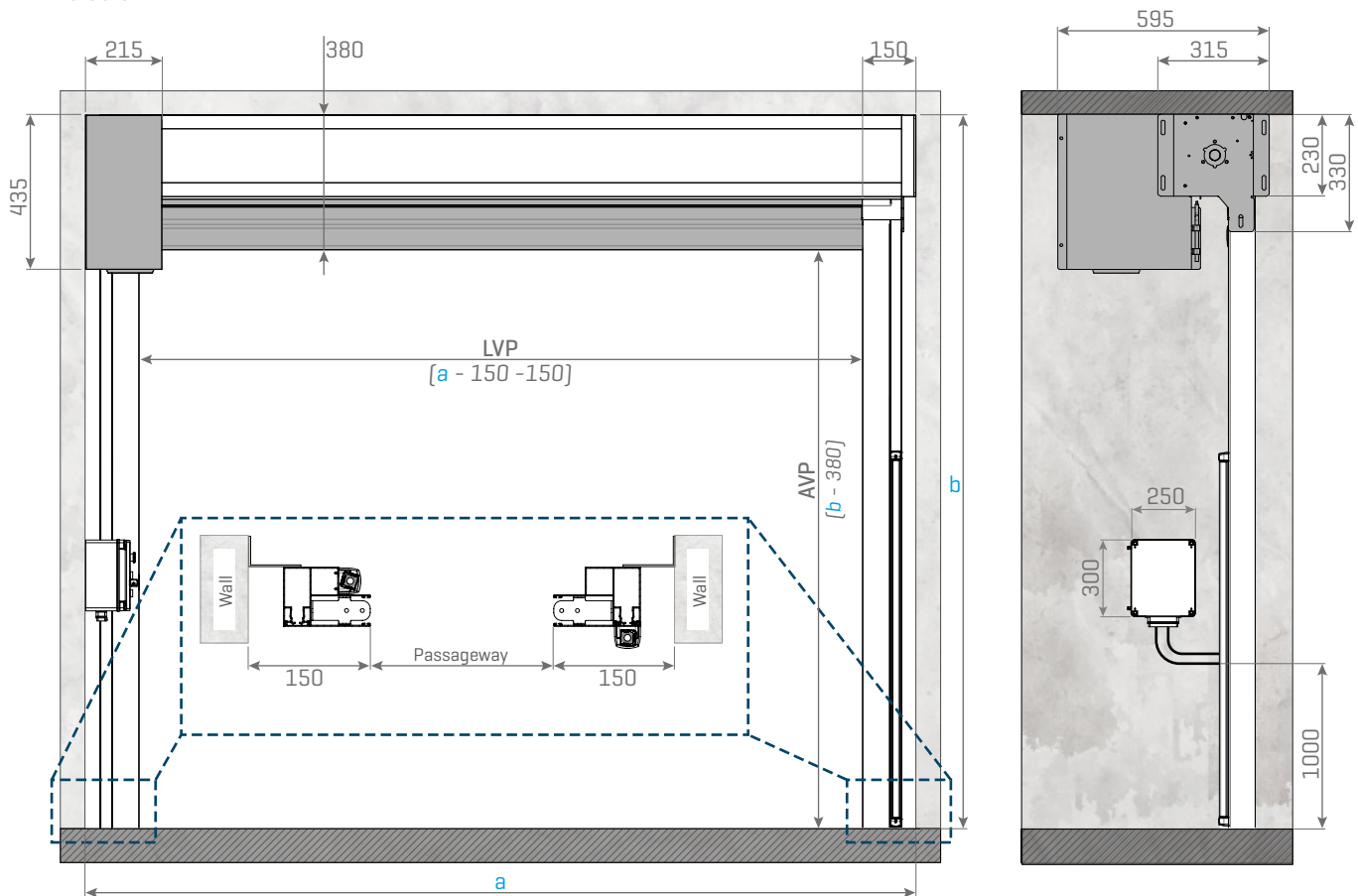
Dimensions in mm



Legenda: OLM - Motors side clearance; OLC - Opposite side clearance; PM - Minimum Lintel

03. TECHNICAL DRAWING - ECO [TUNNEL KIT]

Dimensions in mm



Legenda: LVP - Width of passageway; AVP - Height of passageway;