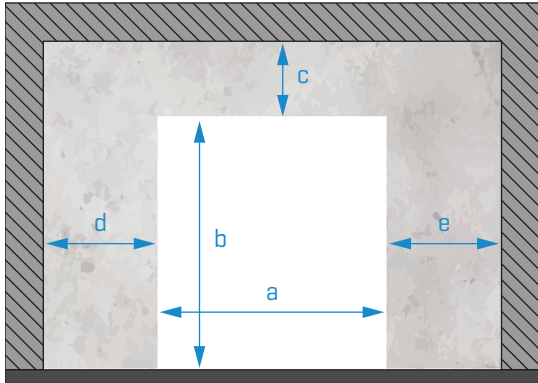


Client:  Customer Ref.:  Date:  /  /  Delivery desired date:  /  /

**BEFORE STARTING TO FILL OUT THE FORM YOU MUST INDICATE WHICH MODEL YOU WANT [SELECT ONLY ONE OF THE OPTIONS]**

**FIX**  
 **FIX TERMO**

**01. INSTALLATION AREA**



Quantity

**Local dimensions [mm]:**

**MANDATORY FILLING**

a

b

c

d

e

**PVC color:**  
The PVC colour only applies to the **FIX** model. It is not possible to change the colour on the **FIX TERMO** model.

<input type="checkbox"/> 5013	<input type="checkbox"/> 5002	<input type="checkbox"/> 5015
<input type="checkbox"/> 6026	<input type="checkbox"/> 3002	<input type="checkbox"/> 2004
<input type="checkbox"/> 1003	<input type="checkbox"/> 1015	<input type="checkbox"/> 9005
<input type="checkbox"/> 7037	<input type="checkbox"/> 7038	<input type="checkbox"/> 7035
<input type="checkbox"/> 9016	<input type="checkbox"/> 5010	<input type="checkbox"/> 7016

Other:

**Additional devices:**

MPR020

Tunnel kit

UPS [Price on request]

Magnetic loop - **Model:**

Remote control - **Model:**

Radars - **Model:**

**Without transparent strip**  
Mark if you *do not want* transparent strip

**TRANSPARENT PVC IS NOT COMPATIBLE WITH FIX TERMO**

**Printing [optional]:**

Safe profile side

Opposite side of the safe profile

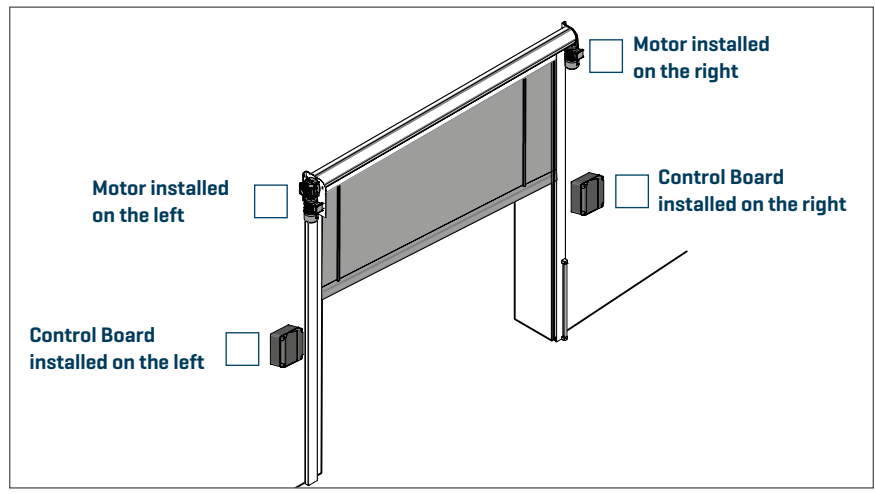
**All doors are lacquered in RAL9010 Textured**  
If you want another colour or finish, please mention here:

STAINLESS STEEL 304     STAINLESS STEEL 316

**Other Options:**

**OBSERVATIONS:**  
IN THIS SPACE YOU SHOULD DESCRIBE EVERYTHING YOU FIND RELEVANT TO THE AUTOMATISM PRODUCTION

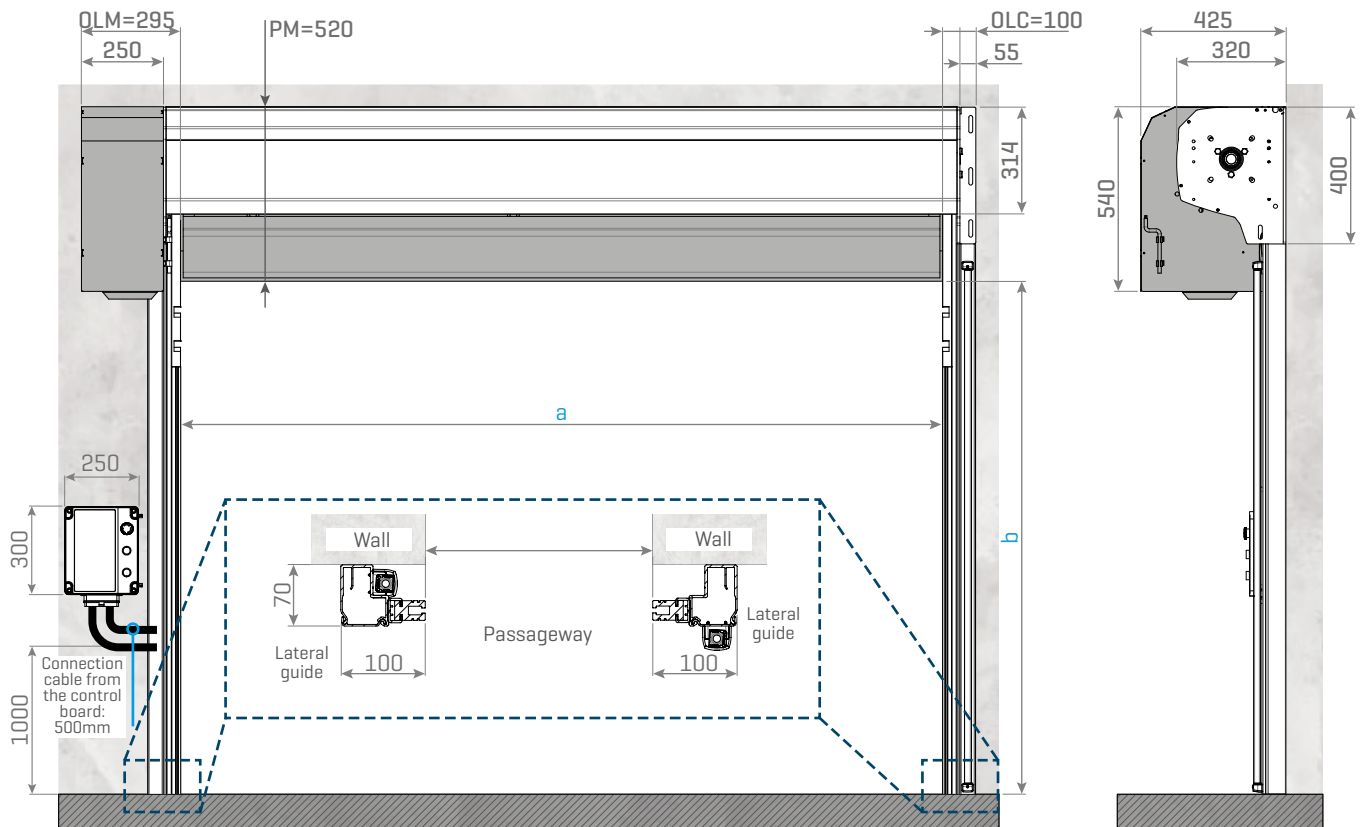
**MOTOR AND CONTROL BOARD POSITION**



IN THIS SPACE YOU SHOULD DRAW EVERYTHING YOU FIND RELEVANT TO THE AUTOMATISM PRODUCTION

## 02. TECHNICAL DRAWING (NORMAL KIT)

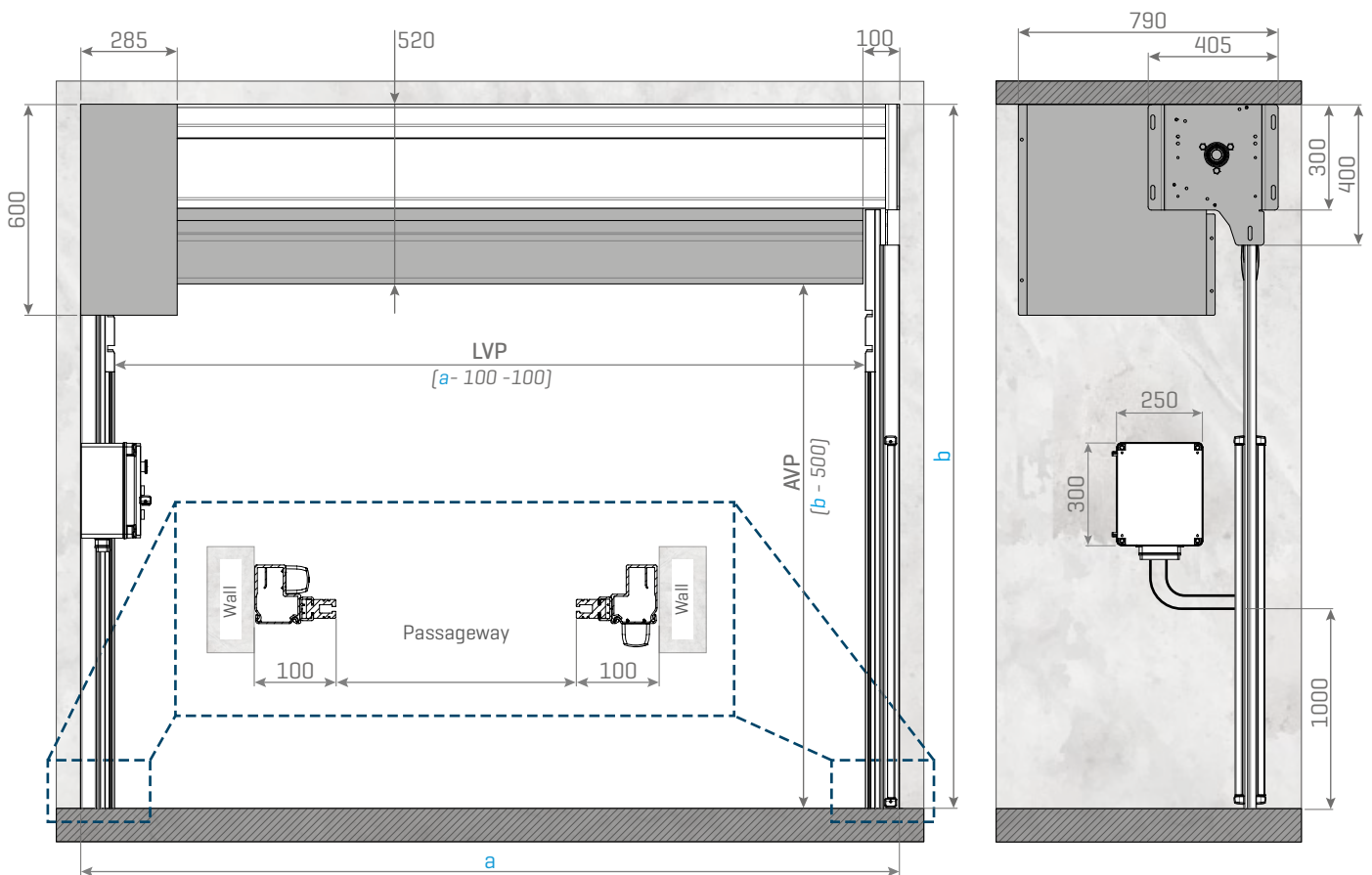
Dimensions in mm



Legend: OLM - Motors side clearance; OLC - Opposite side clearance; PM - Minimum Lintel;  
LVP - Width of passageway; AVP - Height of passageway

## 03. TECHNICAL DRAWING (TUNNEL KIT)

Dimensions in mm



Legend: LVP - Width of passageway; AVP - Height of passageway