

Client: Customer Ref.: Date: / / Delivery desired date: / /



BEFORE STARTING TO FILL OUT THE FORM YOU MUST INDICATE WHICH MODEL YOU WANT [SELECT ONLY ONE OF THE OPTIONS]



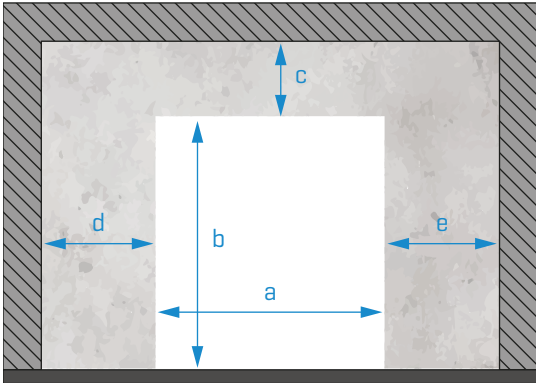
FIX



FIX TERMO



01. INSTALLATION AREA



Quantity

Local dimensions [mm]:

MANDATORY FILLING

a
b
c
d
e

PVC color:

<input type="checkbox"/> 5013	<input type="checkbox"/> 5002	<input type="checkbox"/> 5015
<input type="checkbox"/> 6026	<input type="checkbox"/> 3002	<input type="checkbox"/> 2004
<input type="checkbox"/> 1003	<input type="checkbox"/> 1015	<input type="checkbox"/> 9005
<input type="checkbox"/> 7037	<input type="checkbox"/> 7038	<input type="checkbox"/> 7035
<input type="checkbox"/> 9016	<input type="checkbox"/> 5010	<input type="checkbox"/> 7016

Other:

Additional devices:

MPR020
 Tunnel kit
 UPS [Price on request]
 Magnetic loop - **Model:**
 Remote control - **Model:**
 Radars - **Model:**

Without transparent strip
Mark if you *do not want* transparent strip

TRANSPARENT PVC IS NOT COMPATIBLE WITH FIX TERMO

All doors are lacquered in RAL9010 Textured

If you want another colour or finish, please mention here:

STAINLESS STEEL 304 STAINLESS STEEL 316

Printing [optional] :

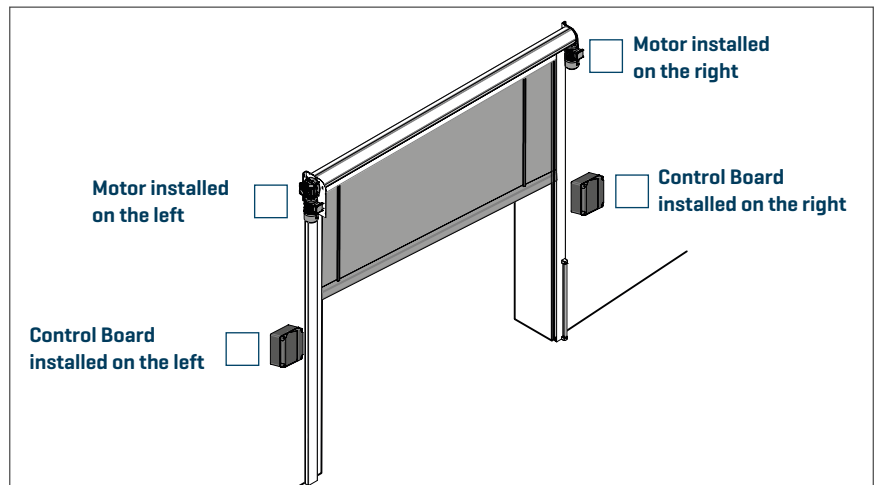
Safe profile side
 Opposite side of the safe profile

Other Options:

OBSERVATIONS:

IN THIS SPACE YOU SHOULD DESCRIBE EVERYTHING YOU FIND RELEVANT TO THE AUTOMATISM PRODUCTION

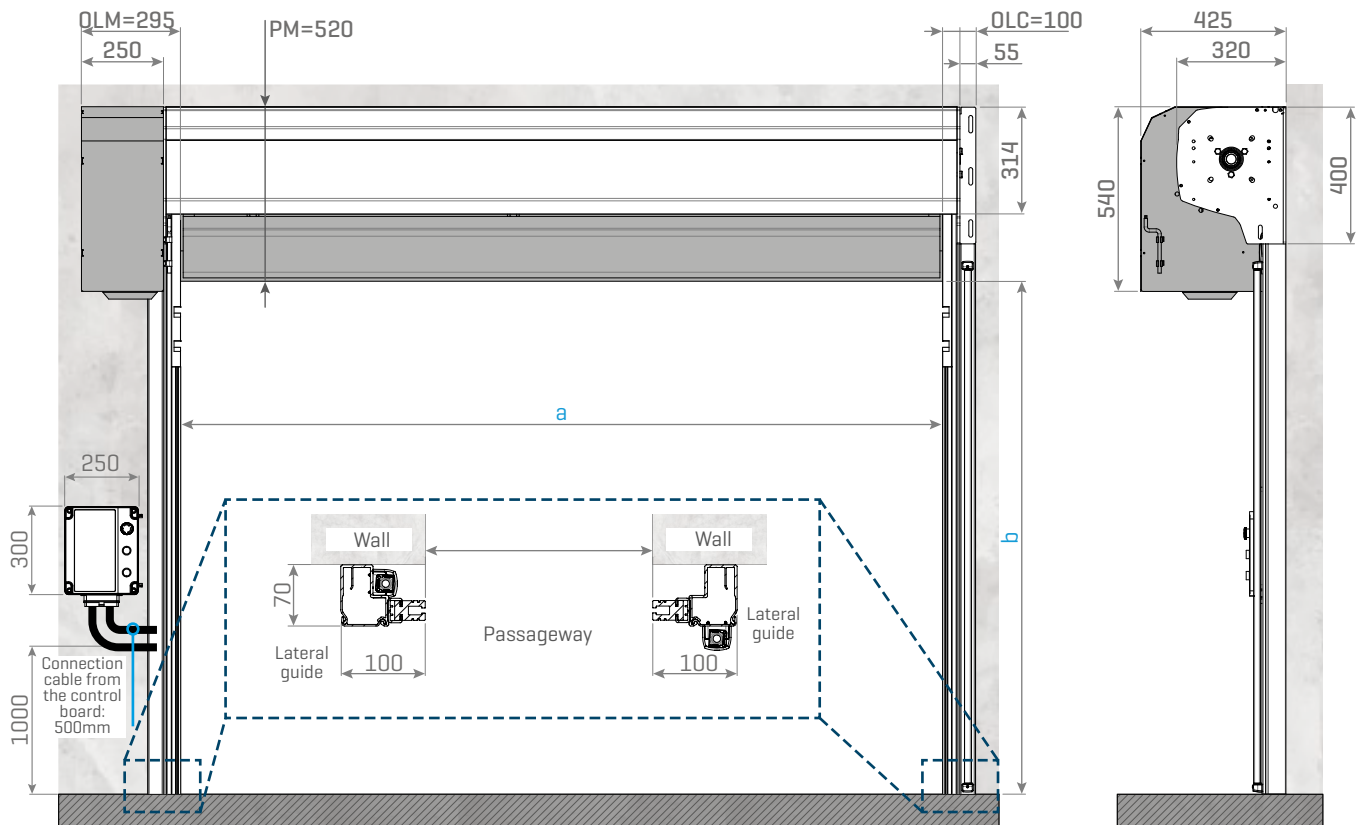
MOTOR AND CONTROL BOARD POSITION



IN THIS SPACE YOU SHOULD DRAW EVERYTHING YOU FIND RELEVANT TO THE AUTOMATISM PRODUCTION

02. TECHNICAL DRAWING (NORMAL KIT)

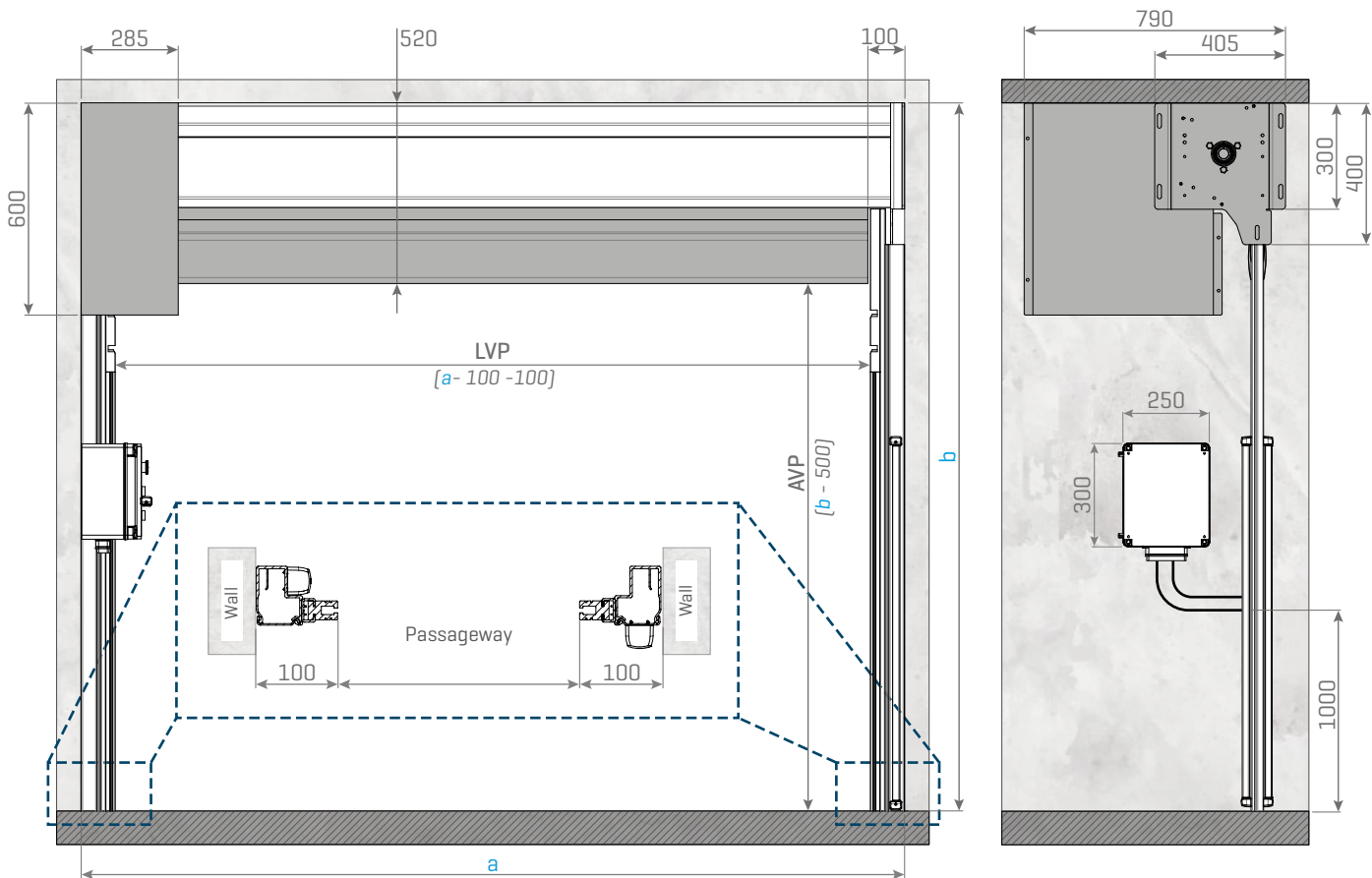
Dimensions in mm



Legend: OLM - Motors side clearance; OLC - Opposite side clearance; PM - Minimum Lintel;
LVP - Width of passageway; AVP - Height of passageway

03. TECHNICAL DRAWING (TUNNEL KIT)

Dimensions in mm



Legend: LVP - Width of passageway; AVP - Height of passageway