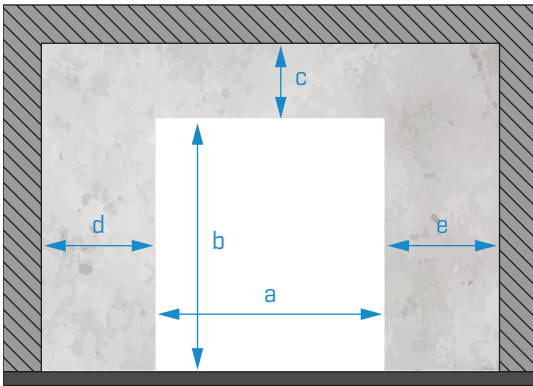


Client: Customer Ref.: Date: / / Desired supply date: / /

01. INSTALLATION AREA



Quantity

Local dimensions (mm):

MANDATORY FILLING

a

b

c

d

e

PVC color:

<input type="checkbox"/> 5013	<input type="checkbox"/> 5002	<input type="checkbox"/> 5015
<input type="checkbox"/> 6026	<input type="checkbox"/> 3002	<input type="checkbox"/> 2004
<input type="checkbox"/> 1003	<input type="checkbox"/> 1015	<input type="checkbox"/> 9005
<input type="checkbox"/> 7037	<input type="checkbox"/> 7038	<input type="checkbox"/> 7035
<input type="checkbox"/> 9016	<input type="checkbox"/> 5010	<input type="checkbox"/> 7016

Other:

Additional devices:

MPR020

Tunnel kit

UPS (Price on request)

Magnetic loop - **Model:**

Remote control - **Model:**

Radars - **Model:**

Without transparent strip
Mark if you *do not want* transparent strip

Printing [optional] :

Safe profile side

Opposite side of the safe profile

All doors are lacquered in RAL9010 Textured
If you want another colour or finish, please mention here:

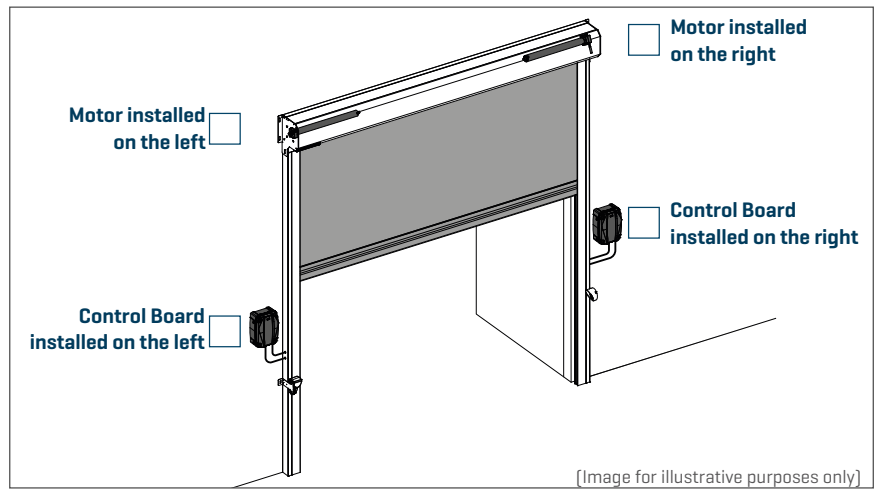
STAINLESS STEEL 304 STAINLESS STEEL 316

Other Options:

OBSERVATIONS:

IN THIS SPACE YOU SHOULD DESCRIBE EVERYTHING YOU FIND RELEVANT TO THE AUTOMATISM PRODUCTION

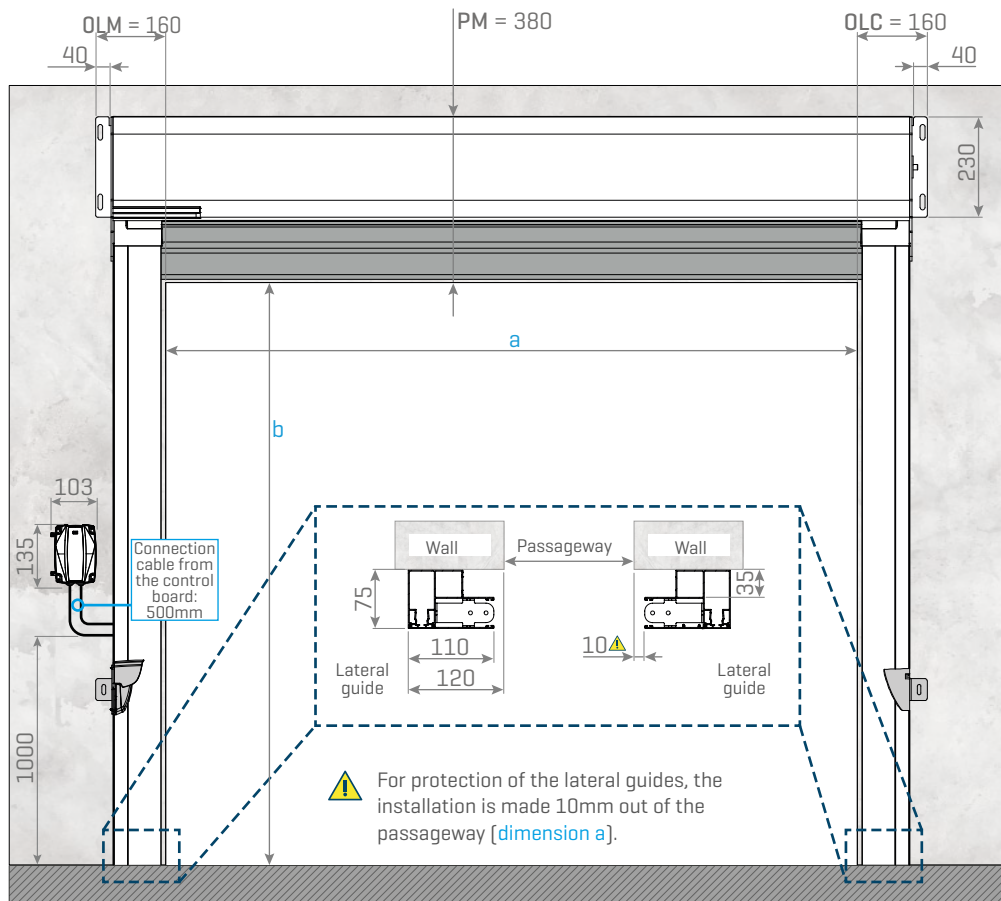
MOTOR AND CONTROL BOARD POSITION:



IN THIS SPACE YOU SHOULD DRAW EVERYTHING YOU FIND RELEVANT TO THE AUTOMATISM PRODUCTION

02. TECHNICAL DRAWING - ECO PLUMA (NORMAL KIT)

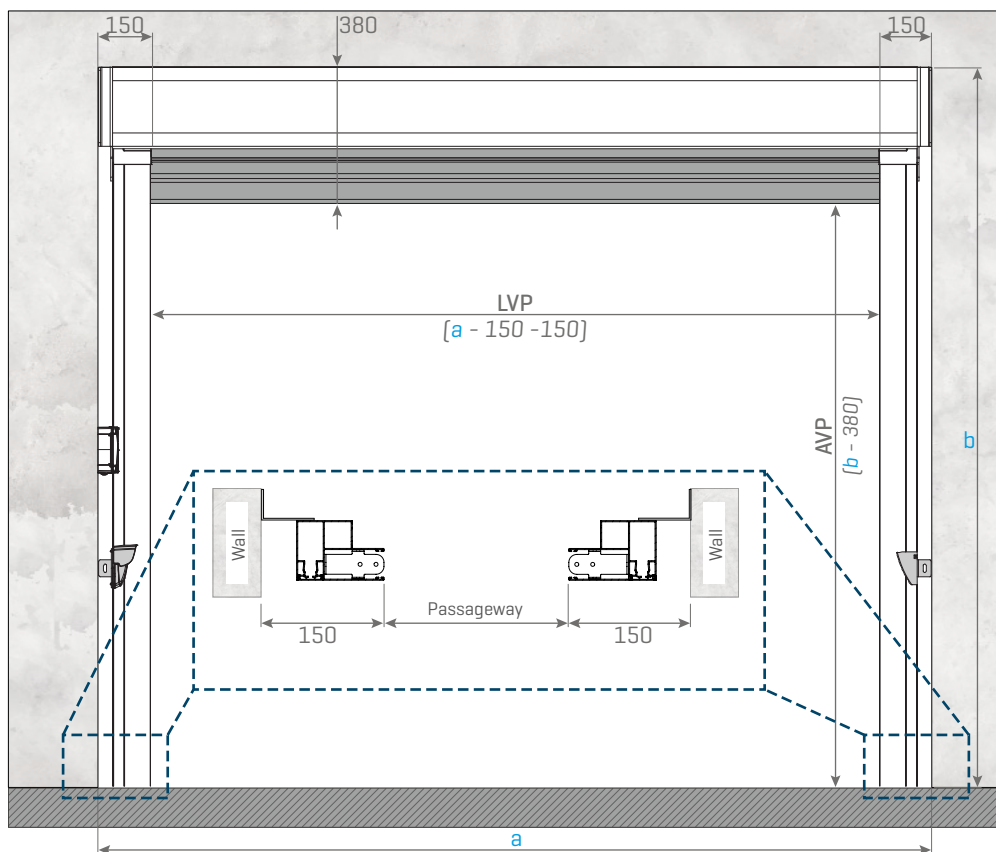
Dimensions in mm



Legenda: OLM - Motors side clearance; OLC - Opposite side clearance; PM - Minimum Lintel

03. TECHNICAL DRAWING - ECO PLUMA (TUNNEL KIT)

Dimensions in mm



Legenda: LVP - Width of passageway; AVP - Height of passageway;