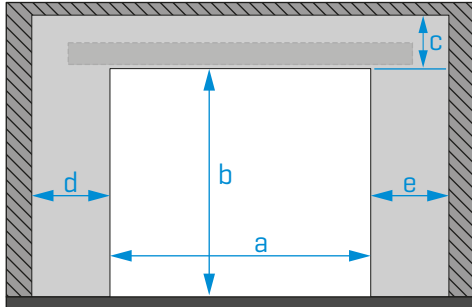


Client: _____

Date: ____ / ____ / ____

Desired supply date: ____ / ____ / ____

01. INSTALLATION LOCAL:



Quantity

Local dimensions [mm]:

Mandatory filling
← follow scheme

- a [Clear passage width]
- b [Clear passage height]
- c [Lintel]
- d [Left lateral]
- e [Right lateral]

[machine size]

[width of leaf/clamp/frame]
 [height of frame]

02. ADDITIONAL DEVICES:

Complete with X
 1, etc.

- M1601 - Radar
- RAP50 - Radar
- MR30 - Radar with photocells
↳ Ceiling fixing plate
- RAP100S - Radar with photocells
- FOT09S1A - Photocells
- MELE01 - Electric lock
- MR10 - Receiver
- FALK - Remote controls
- MB18 - Touch sensor
- SINTACT - No touch sensor
- MB17 - No touch sensor

03. FINISHING OF SAFE / FRAME:

SAFE

Textured finishing [standard]:

- Natural anodized
- White powder coating
- Black powder coating

Another workmanship:

Lacquering | RAL color

FRAME OR CLAMP

Textured finishing [standard]:

- Natural anodized
- White powder coating
- Black powder coating

Another workmanship:

Lacquering | RAL color

Other devices/accessories:

04. GLASS

Only available in the model with frames

Tick if you want to order the glass for the door

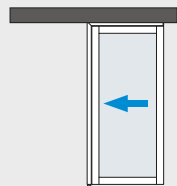
Mandatory completion of the production form
[available on the following pages]

05. NUMBER OF LEAFS AND ORIENTATION:

[SELECT DESIRED OPTIONS WITH AN X]

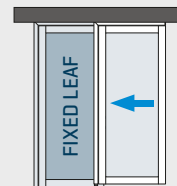
1

- 1 mobile leaf
- Open to Left



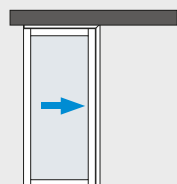
4

- 1 mobile leaf
- 1 fixed leaf
- Open to Left



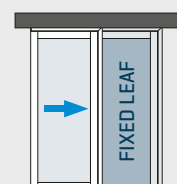
2

- 1 mobile leaf
- Open to Right



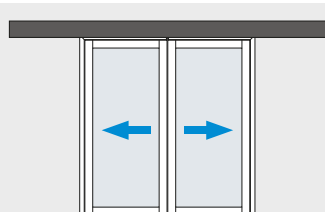
5

- 1 mobile leaf
- 1 fixed leaf
- Open to Right



3

- 2 mobile leaves



6

- 2 mobile leaves
- 2 fixed leaves



KAPV100 Anti-Panic - Automatic Sliding Door

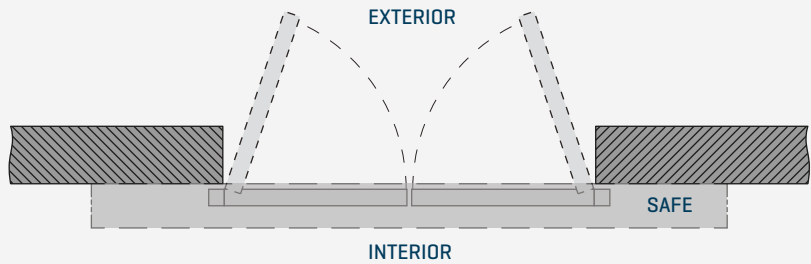
06. OPENING TYPE: [SELECT WITH X THE DESIRED OPTION]



1

STANDARD

Anti-panic leaves are turned towards the exterior with the safe installed on the interior side.

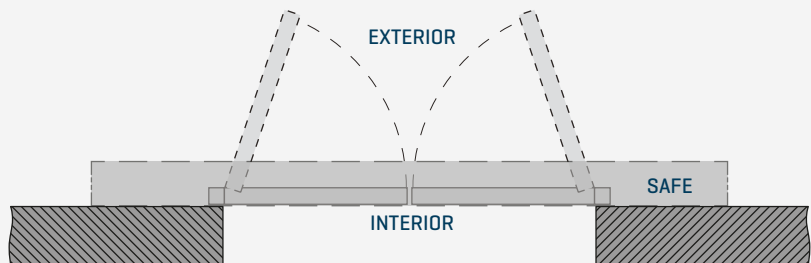


Note: The Anti-Panic system is only present in the mobile leaves, regardless of the existence of fixed leaves.

2

OPPOSITE

Anti-panic leaves are turned towards the exterior with the safe installed on the exterior side also.

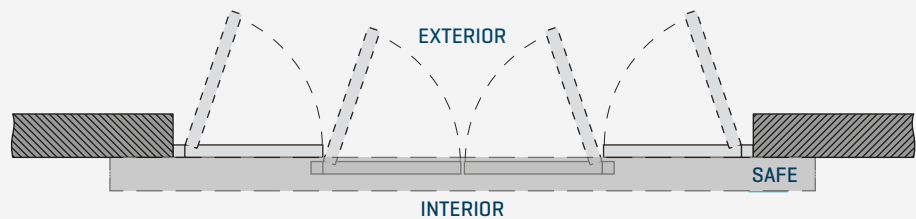


Note: The Anti-Panic system is only present in the mobile leaves, regardless of the existence of fixed leaves.

3

COMPLETE

Mobile and fixed anti-panic leaves are turned towards the exterior with the safe installed on the interior side.



These types of opening are also used when using only 1 mobile leaf, or 1 mobile leaf and 1 fixed leaf.

OBSERVATIONS:

[IN THIS SPACE YOU SHOULD DESCRIBE EVERYTHING YOU FIND RELEVANT TO THE AUTOMATISM PRODUCTION]



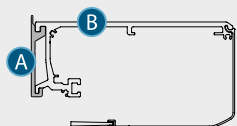
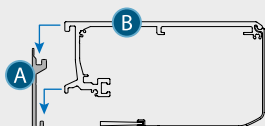
KAPV100 Anti-Panic - Automatic Sliding Door



Must only send this sheet if you want the glass leaves to be provided with the automatism.

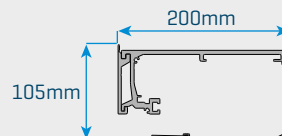
APPLICATION MODE:

[SELECT WITH X THE DESIRED OPTION]

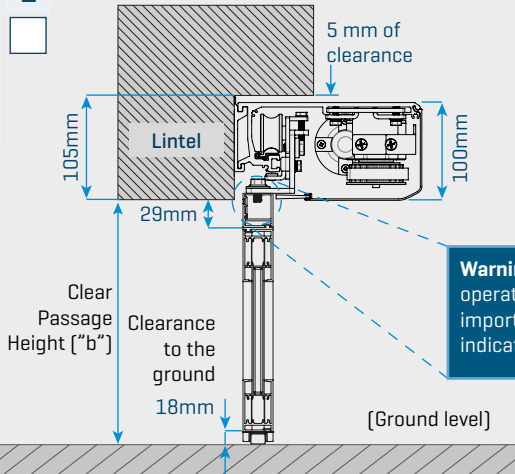


Mounting the safe

The profile A is fixed to the wall.
The profile B fits into profile A.
5mm of clearance left between the safe and the ceiling.



1



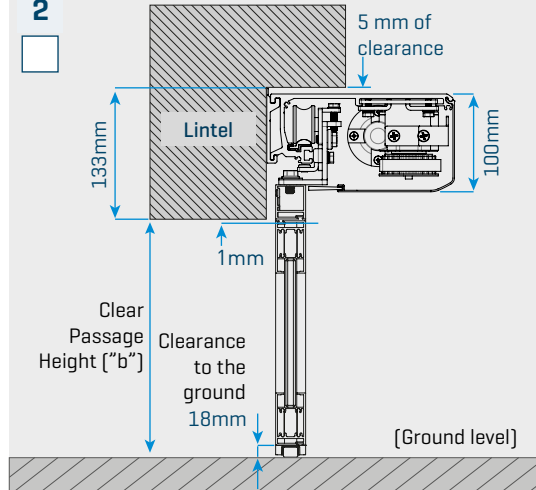
Warning: For the correct operation of the door, it's important to respect the indicated alignment.

Semi-visible mode

Anti-Panic aluminum profile stays visible from the outside [105mm of minimum lintel]. Height of clear passage reduced in 29mm.

Compatible with: Complete opening/Interior and exterior opening

2



Invisible mode

Anti-Panic aluminum profile stays hidden behind the lintel [133mm of minimum lintel].

Warning: This option can not be used in the "complete" opening type [previous page].

Compatible with: Interior and exterior opening

GLASS PRODUCTION:



GLASS TYPE:

Example:

If you choose the "semi visible-mode" and have a clear passage height of 2000mm then the door leaf height must be 1954mm [2000 - 47].

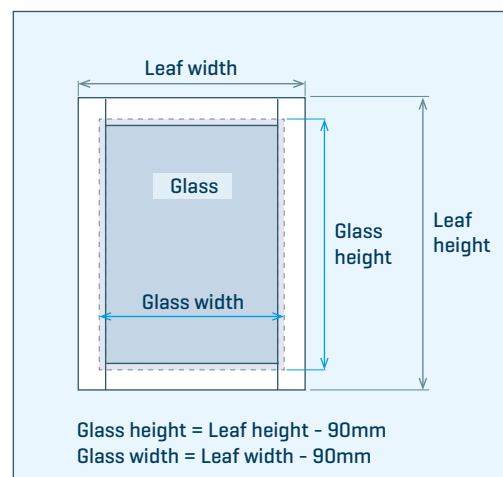
SEMI-VISIBLE MODE:

$$\begin{array}{l} \text{Height} \\ \text{Glass} \\ \text{Leaf} \end{array} = \begin{array}{l} \text{Clear} \\ \text{Passage} \\ \text{Height} \end{array} - 46\text{mm}$$

INVISIBLE MODE:

$$\begin{array}{l} \text{Height} \\ \text{Glass} \\ \text{Leaf} \end{array} = \begin{array}{l} \text{Clear} \\ \text{Passage} \\ \text{Height} \end{array} - 19\text{mm}$$

GLASS DIMENSIONS FOR FRAME WORKMANSHIP:



OBSERVATIONS:

[IN THIS SPACE YOU SHOULD DESCRIBE EVERYTHING YOU FIND RELEVANT TO THE AUTOMATISM PRODUCTION]

