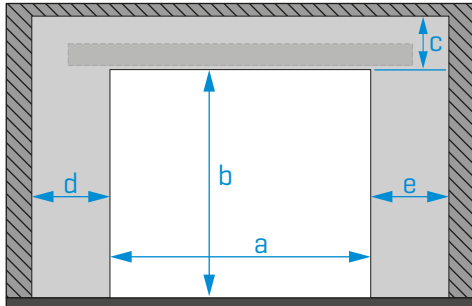


Client: _____

Date: ____/____/____

Desired supply date: ____/____/____

01. INSTALLATION LOCAL:



Quantity

Local dimensions (mm):

Mandatory filling
← follow scheme

- a [Clear passage width]
- b [Clear passage height]
- c [Lintel]
- d [Left lateral]
- e [Right lateral]



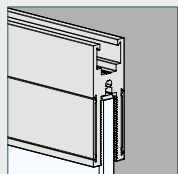
02. ADDITIONAL DEVICES:

Complete with X
1, etc.

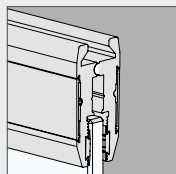
- M1601 - Radar
- RAP50 - Radar
- MR30 - Radar with photocells
↳ Ceiling fixing plate
- RAP100S - Radar with photocells
- FOT09S1A - Photocells
- MELE01 - Electric lock
- MR10 - Receiver
- FALK - Remote controls
- SINTACT - No touch sensor
- MB17 - No touch sensor

[machine size] [width of leaf/frame/clamp]
[height of frame]

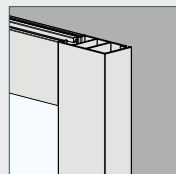
03. SAFE/FRAME FINISHING:



Fixation glass drilling F1



Fixation glass grip F2



Aluminum frame profile

C048 System

Anti-storm kit

Other devices/
accessories:

SAFE

Textured finishing [standard]:

- Natural anodized
- White powder coating - RAL9003
- Black powder coating - RAL9005

Another workmanship:

Lacquering | RAL color

FRAME OR CLAMP

Textured finishing [standard]:

- Natural anodized
- White powder coating - RAL9003
- Black powder coating - RAL9005

Another workmanship:

Lacquering | Ral color

04. GLASS

Only available in the model with frames

Tick if you want to order the glass for the door

Mandatory completion of the production form
[available on the following pages]

05. NUMBER OF LEAFS AND ORIENTATION:

[SELECT DESIRED OPTIONS WITH AN X]

1

- 1 mobile leaf
- Open to Left

2

- 1 mobile leaf
- Open to Right

3

- 2 mobile leaves

4

- 1 mobile leaf
- 1 fixed leaf
- Open to Left

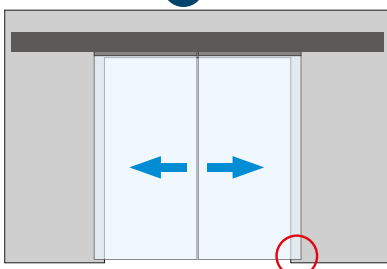
5

- 1 mobile leaf
- 1 fixed leaf
- Open to Right

6

- 2 mobile leaves
- 2 fixed leaves

06. OVERLAP:



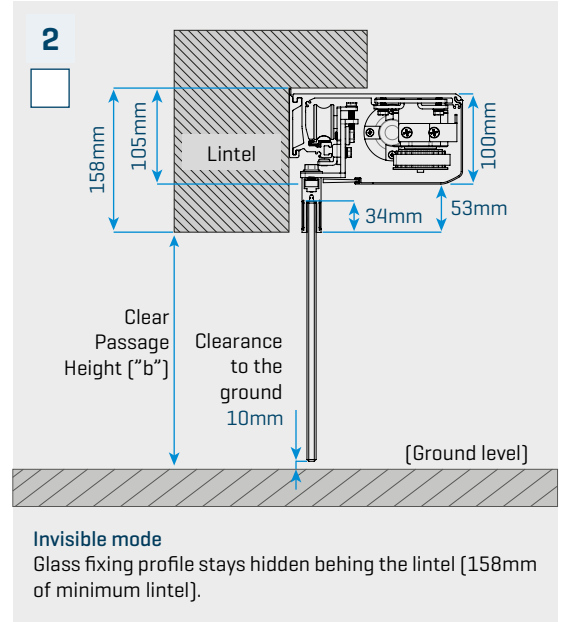
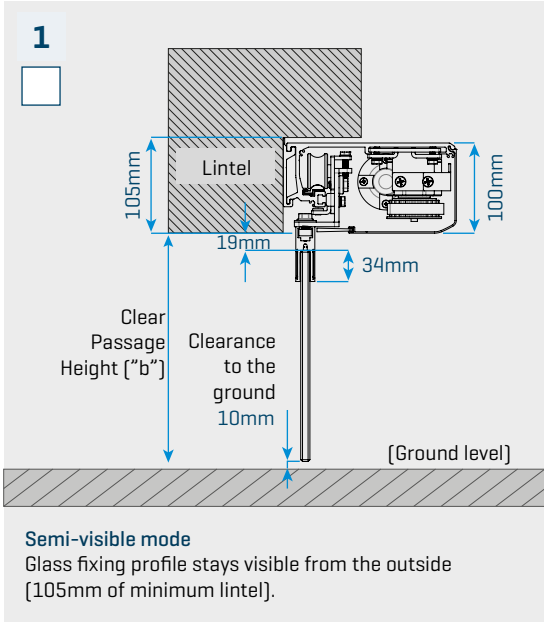
In closed mode, a small overlap of the glass leaves with the wall is recommended for sealing, generally between 25 to 50mm.

For doors with profiles, for a better framing, is recommended an overlap of 55mm.

Please mark below the size of the overlap you want:”

! Must only send this sheet if you want the glass leaves to be provided with the automatism.

APPLICATION MODE - SIMPLE GLASS LEAF:
[SELECT WITH X THE DESIRED OPTION]



GLASS PRODUCTION:



Use only 10mm TEMPERED GLASS

We are not responsible if another type of glass is used.

SEMI-VISIBLE MODE:

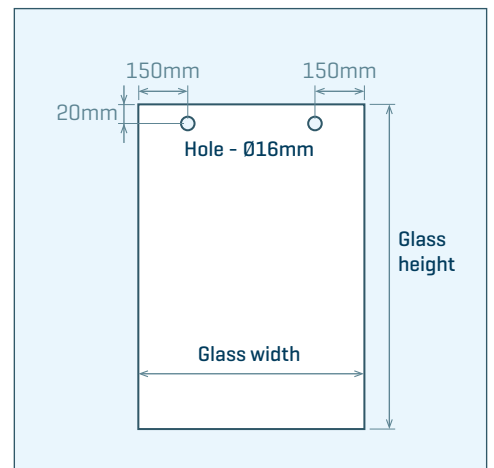
Height Glass Leaf	=	Clear Passage Height	-	29mm
-------------------	---	----------------------	---	------

INVISIBLE MODE:

Height Glass Leaf	=	Clear Passage Height	+	24mm
-------------------	---	----------------------	---	------

Example:
If you choose the "Semi -Visible mode" and have a clear passage height of 2000mm, then the glass leaf height must be 1971mm [2000-29].

HOLES ON GLASS LEAF FOR FIX KIT:



OBSERVATIONS:

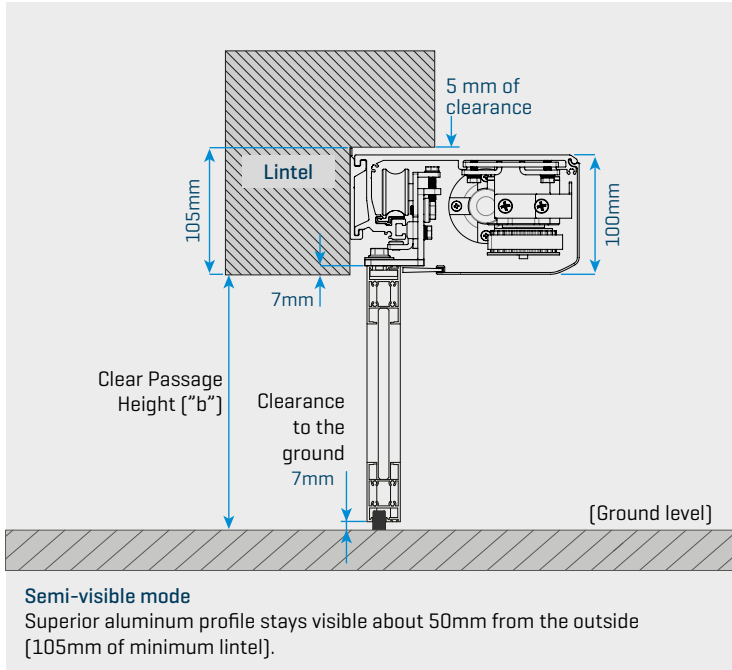
[In this space you should describe everything you find relevant to the automatism production]





Must only send this sheet if you want the aluminum frames and/or glass leaves to be provided with automatism. Please refer in the "Observations" field if you want frames, glass or both.

APPLICATION MODE - ALUMINUM FRAME

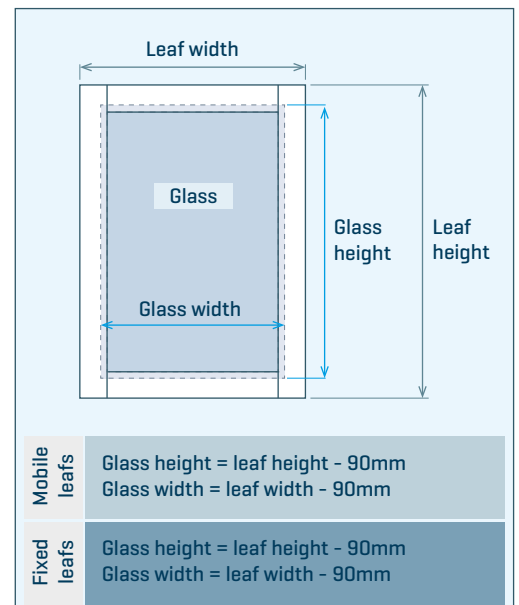


Height Leaf	=	Clear Passage Height
-------------	---	----------------------

GLASS PRODUCTION:

GLASS TYPE:

Example:
If you choose the "Semi -Visible mode" and have a clear passage height of 2000mm, then the mobile glass leaf height must be 1910mm [2000-90].

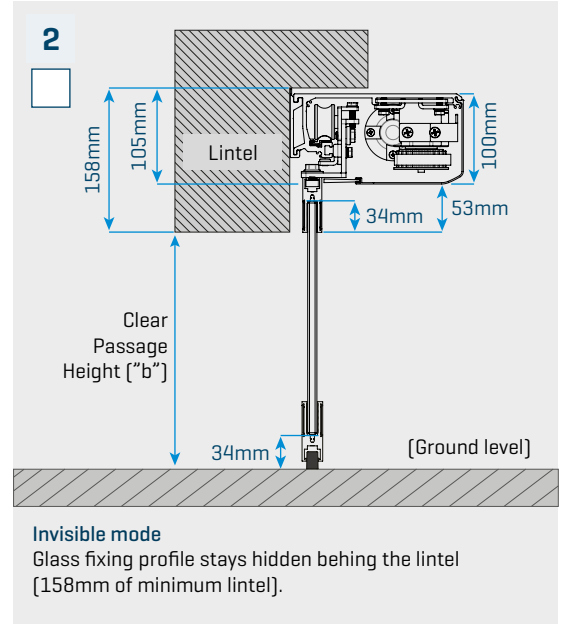
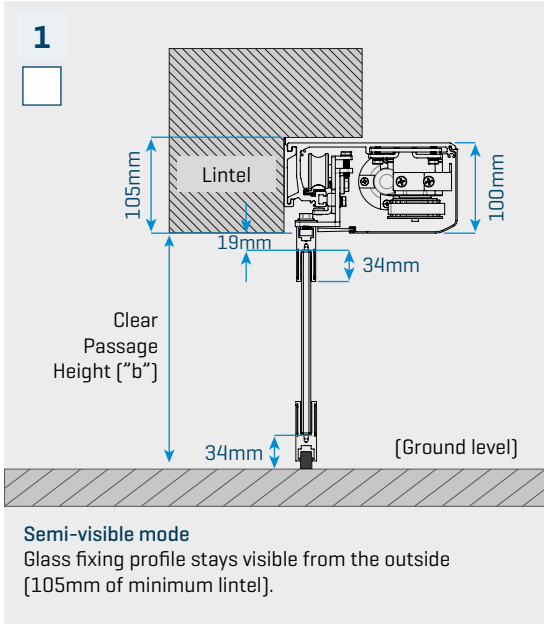


OBSERVATIONS:

[In this space you should describe everything you find relevant to the automatism production]

! Must only send this sheet if you want the glass leaves to be provided with the automatism.

APPLICATION MODE - SIMPLE GLASS LEAF WITH LOWER F1 FIXING KIT:
 [SELECT WITH X THE DESIRED OPTION]



GLASS PRODUCTION:

!

Use only 10mm TEMPERED GLASS

We are not responsible if another type of glass is used.

SEMI-VISIBLE MODE:

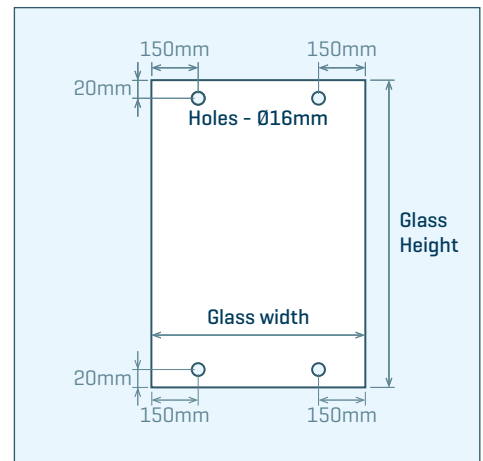
Height Glass Leaf	=	Clear Passage Height	-	53mm
-------------------	---	----------------------	---	------

INVISIBLE MODE:

Height Glass Leaf	=	Clear Passage Height
-------------------	---	----------------------

Example:
 If you choose the "Semi-Visible mode" and have a clear passage height of 2000mm, then the glass leaf height must be 1947mm [2000-53].

HOLES ON GLASS LEAF FOR FIX KIT:



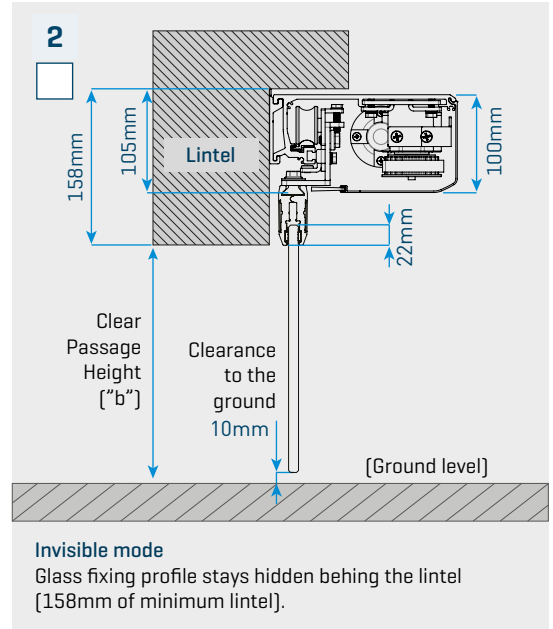
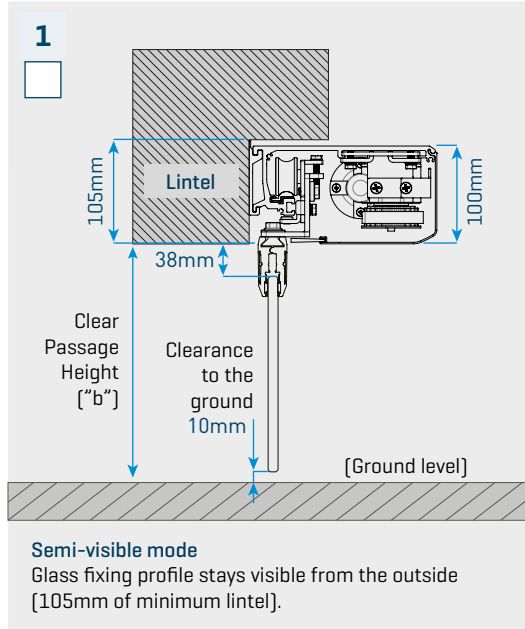
OBSERVATIONS:

[In this space you should describe everything you find relevant to the automatism production]



! Must only send this sheet if you want the glass leaves to be provided with the automatism.

APPLICATION MODE - SIMPLE GLASS LEAF WITH F2 CLAMP: 
 [SELECT WITH X THE DESIRED OPTION]



GLASS PRODUCTION: 

GLASS TYPE:

SEMI-VISIBLE MODE:

$$\text{Height Glass Leaf} = \text{Clear Passage Height} - 48\text{mm}$$


INVISIBLE MODE:

$$\text{Height Glass Leaf} = \text{Clear Passage Height} + 12\text{mm}$$

Example:

If you choose the "Semi-Visible mode" and have a clear passage height of 2000mm, then the glass leaf height must be 1952mm [2000 - 48].

OBSERVATIONS:

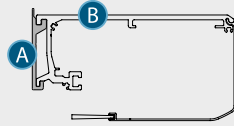
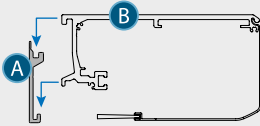
[In this space you should describe everything you find relevant to the automatism production] 



Must only send this sheet if you want the glass leaves to be provided with the automatism.

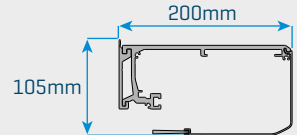
APPLICATION MODE - SIMPLE GLASS WITH F2 GLAMP AND F1 INFERIOR FIXING KIT:

[SELECT WITH X THE DESIRED OPTION]

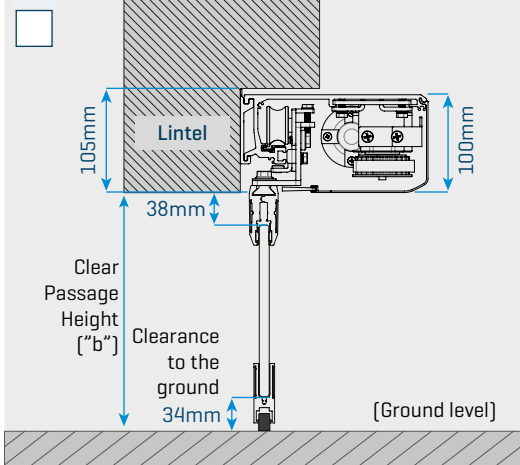


Mounting the safe

The profile A is fixed to the wall. Espaço 5mm
 The profile B fits into profile A. Espaço 5mm
 5mm of clearance left between the safe and the ceiling.



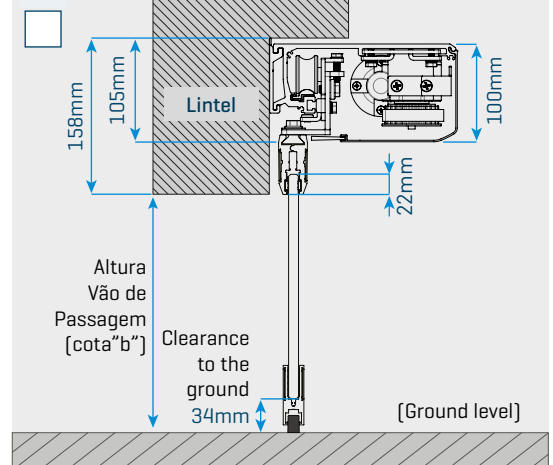
1



Semi-visible mode

Glass fixing profile stays visible from the outside [105mm of minimum lintel].

2



Invisible mode

Glass fixing profile stays hidden behind the lintel [158mm of minimum lintel].

GLASS PRODUCTION:

GLASS TYPE:

Example:

If you choose the "Semi-Visible mode" and have a clear passage height of 2000mm, then the glass leaf height must be 1928mm [2000 - 72].

SEMI-VISIBLE MODE:

$$\begin{matrix} \text{Height} & & \text{Clear} \\ \text{Glass} & = & \text{Passage} \\ \text{Leaf} & & \text{Height} \end{matrix} - 72\text{mm}$$

INVISIBLE MODE:

$$\begin{matrix} \text{Height} & & \text{Clear} \\ \text{Glass} & = & \text{Passage} \\ \text{Leaf} & & \text{Height} \end{matrix} - 12\text{mm}$$

OBSERVATIONS:

[In this space you should describe everything you find relevant to the automatism production]