

Client:

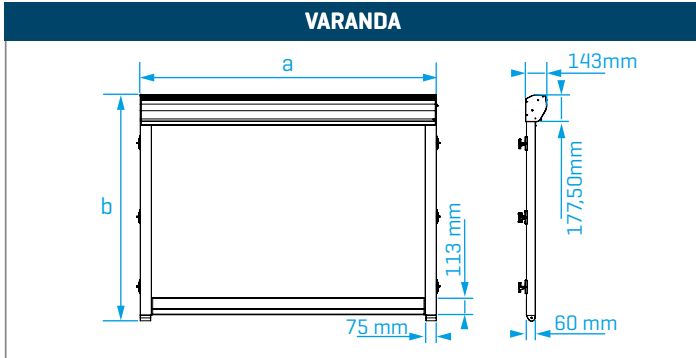
Date:

 / /

Desired date for delivery:

 / /

01. INTRODUCTION



In double installation (two modules), the maximum width dimension per module is 4500 mm.

Maximum dimensions per module:

Width **a**: 5000 mm

Projection **b**: 4250 mm

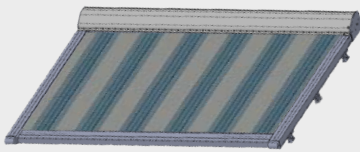
Maximum visible fabric area **c**: 19,2 m²

⚠ All measurements indicated above must be confirmed in the catalogue.

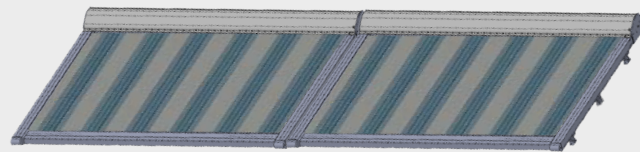
⚠ For larger measurements, contact us for the services available in the bottom.

02. INSTALLATION TYPE

Simple installation



Side by side installation



NOTE: When the awning is made up of 2 Modules, it only incorporates 1 Motor.

03. INSTALLATION MEASURES

[COMPLETE THE FIELDS WITH THE MEASUREMENTS YOU WANT]

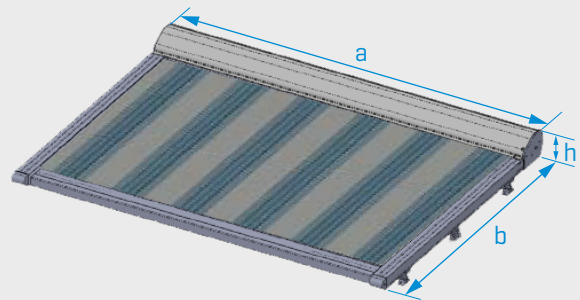
⚠ **Indicate the measurements [mm]:**
Indicate the following measurements for the production of the awning.

Quantity [Required]:

Total width **a** [Required]:

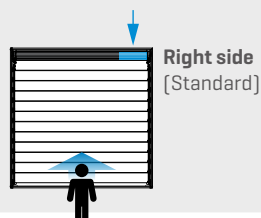
Total projection **b** [Required]:

Total height **h** has a fixed value and depends on the type of balcony.
Please review the first topic "Introduction" if you would like help completing it.



⚠ INSTALLATION OF THE CONTROL BOARD

[STANDARD APPLICATION]



Right side
[Standard]

⚠ **The control board and the motor will always be installed on the right side.**

05. FABRIC AND COLOR

[FILL IN THE EMPTY FIELDS]

 **Mandatory filling!**

FABRIC TYPE

Reference:

[fill in the fabric type reference]

Ex: Plains, Striped, Soltis

FABRIC COLOR

Reference:

[fill in with the reference of the desired color]

To access the references, consult our catalogue at: <https://motorline.pt/en/catalogue/>

06. STRUCTURE COLOR

[FILL IN THE EMPTY FIELDS]

STANDARD COLOUR RAL 9010 Glossy / RAL 7016 Textured

[Any other RAL or finish, indicate in the field beside]



RAL 9010 Glossy



RAL 7016 Textured

OTHER COLORS / FINISHES

Reference:

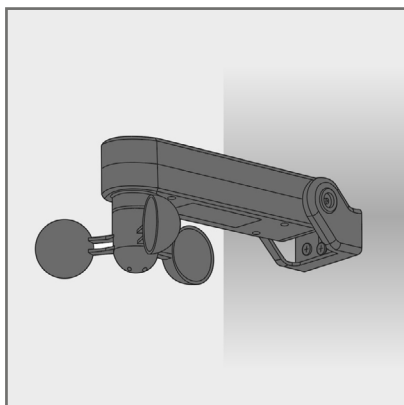
[fill in with desired reference]

07. EXTRA COMPONENTS

[Varanda includes remote control MX95N]

WIWEATHER

REMOTE CONTROL



MX92N

MX95N

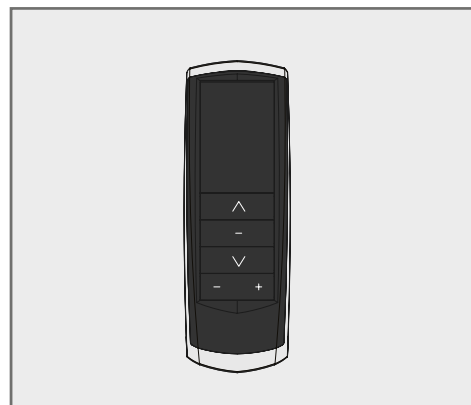
MX96N

MX97N

MX93

MX94

For more information about the remote control, consult our website at: <https://motorline.pt/en/products/accessories/remote-controls/>



08. ADDITIONAL DESCRIPTIONS

[FREE FIELD]

Additional Descriptions [free field for the client]



This form is for the production of one awning only.

If you want more than one awning, you must fill in new forms with the production information for the remaining awnings.