



# EF70R

INSTALLER AND USER'S MANUAL

V1.0  
REV. 06/2019



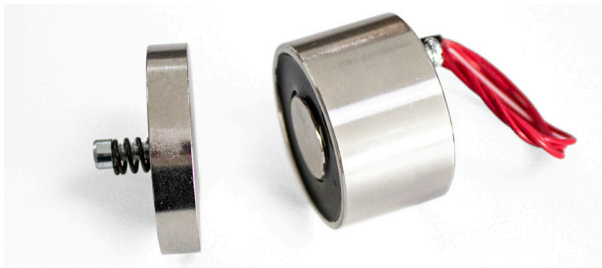
**PLEASE READ THESE INSTRUCTIONS BEFORE INSTALLING ELECTROMAGNETIC LOCK**

- Handle the equipment with care, damage the contact surfaces of the magnet or the steel plate may reduce its efficiency.
  - The magnet is mounted on the door frame, together with the electromagnetic lock. This kit has a pivot in its center for to compensate for wear on the door and its unevenness.
  - This installation must be done with the door closed.
  - Before installation, mark the location of all screws to apply the plates.
- Tighten the screws securely to prevent it from losing.

**12Vdc Input**

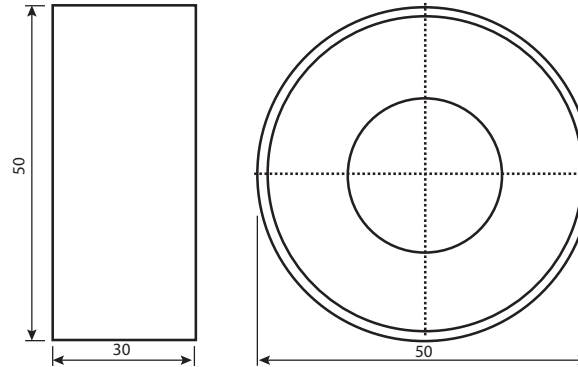
- Minimum consumption of 170mA

- Connect one of the red cables to the V + input and the other cable to the V- input of a power source.

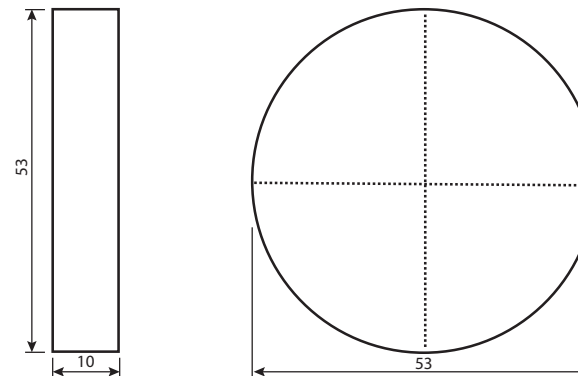


## PRODUCT

### Electromagnetic lock dimensions



### Metal plate dimensions



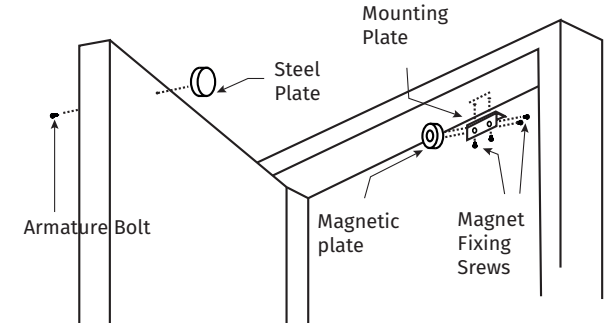
Measurements in (mm).



The mounting plates for installation are **not** included in the kit.

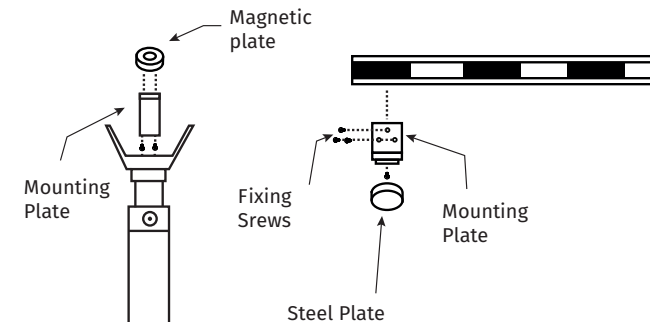
## INSTALLATION

### Door



- STEP 1** • Install the steel plate with 1 screws provided in the door.
- STEP 2** • Install a mounting plate. Adjust the power assembly so that it and the metal plate form an angle straight. Drill the wire. Drill and insert the remaining assembly.
- STEP 3** • Install the magnetic plate with 2 screws provided.
- STEP 4** • Make the electrical connection according to the instructions. Test all functions of this model.

### Barrier



- STEP 1** • Install a steel plate in the barrier with the screws provided.
- STEP 2** • Install the magnetic mounting plate on the fixed bracket to the barrier.
- STEP 3** • Make the electrical connection according to the instructions. Test all functions of this model.