



SMART WIWEATHER

USER'S AND INSTALLER'S MANUAL



EN

v2.1 REV01/2025

00. CONTENT

INDEX

01. SAFETY INSTRUCTIONS	1B
02. INSTALLATION	4B
03. OPERATION	
INITIAL OPERATING CONDITION	5A
WIND SENSOR OPERATION	5A
SUN SENSOR OPERATION	5A
RAIN SENSOR OPERATION	5A
SNOW SENSOR OPERATION	5A
TEMPERATURE SENSOR OPERATION	5A
04. MONITORING	5B
05. PROGRAMMING AND SIGNALING	
SEL BUTTON	5B
SET BUTTON	5B
SIGNALING LED	5B
SOUND SIGNALING	5B
PGM - STAND ALONE PROGRAMMING	6A
TEST - ACTIVATE/DISABLE THE SENSOR TEST	6A
TEST - WIND SENSOR TEST (ANEMOMETER)	6A
TEST - SUN SENSOR TEST	6B
TEST - RAIN SENSOR TEST	6B
TEST - TEMPERATURE SENSOR TEST	6B
TEMP - ACTIVATE/DISABLE THE TEMPERATURE SENSOR	6B
SNOW - ACTIVATE/DISABLE THE SNOW SENSOR	6B
RAIN - ACTIVATE/DISABLE THE RAIN SENSOR	7A
SUN - ACTIVATE/DISABLE THE SUN SENSOR	7A
WIND - ACTIVATE/DISABLE THE WIND SENSOR	7A
CODE - SEND COMMAND SIGNAL	7B

01. SAFETY INSTRUCTIONS

	This product is certified in accordance with European Community (EC) safety standards.
RoHS	This product complies with Directive 2011/65/EU of the European Parliament and of the Council, of 8 June 2011, on the restriction of the use of certain hazardous substances in electrical and electronic equipment and with Delegated Directive (EU) 2015/863 from Commission.
	(Applicable in countries with recycling systems). This marking on the product or literature indicates that the product and electronic accessories (eg. Charger, USB cable, electronic material, controls, etc.) should not be disposed of as other household waste at the end of its useful life. To avoid possible harm to the environment or human health resulting from the uncontrolled disposal of waste, separate these items from other types of waste and recycle them responsibly to promote the sustainable reuse of material resources. Home users should contact the dealer where they purchased this product or the National Environment Agency for details on where and how they can take these items for environmentally safe recycling. Business users should contact their vendor and check the terms and conditions of the purchase agreement. This product and its electronic accessories should not be mixed with other commercial waste.
	This marking indicates that batteries should not be discarded like other household waste at the end of their useful life. Batteries must be delivered to selective collection points for recycling.
	The different types of packaging (cardboard, plastic, etc.) must be subject to selective collection for recycling. Separate packaging and recycle it responsibly.
	This marking indicates that the product and electronic accessories (eg. charger, USB cable, electronic material, controls, etc.) are susceptible to electric shock by direct or indirect contact with electricity. Be cautious when handling the product and observe all safety procedures in this manual.

01. SAFETY INSTRUCTIONS

GENERAL WARNINGS

- This manual contains very important safety and usage information. Read all instructions carefully before beginning the installation/usage procedures and keep this manual in a safe place that it can be consulted whenever necessary.
- This product is intended for use only as described in this manual. Any other enforcement or operation that is not mentioned is expressly prohibited, as it may damage the product and put people at risk causing serious injuries.
- This manual is intended firstly for specialized technicians, and does not invalidate the user's responsibility to read the "User Norms" section in order to ensure the correct functioning of the product.
- The installation and repair of this product may be done by qualified and specialized technicians, to assure every procedure are carried out in accordance with applicable rules and norms. Nonprofessional and inexperienced users are expressly prohibited of taking any action, unless explicitly requested by specialized technicians to do so.
- Installations must be frequently inspected for unbalance and the wear signals of the cables, springs, hinges, wheels, supports and other mechanical assembly parts.
- Do not use the product if it is necessary repair or adjustment is required.
- When performing maintenance, cleaning and replacement of parts, the product must be disconnected from power supply. Also including any operation that requires opening the product cover.
- The use, cleaning and maintenance of this product may be carried out by any persons aged eight years old and over and persons whose physical, sensorial or mental capacities are lower, or by persons without any knowledge of the product, provided that these are supervision and instructions given by persons with experienced in terms of usage of the product in a safe manner and who understands the risks and dangers involved.

- Children shouldn't play with the product or opening devices to avoid the motorized door or gate from being triggered involuntarily.
- If the power cable is damaged, it must be replaced by the manufacturer, after-sales service or similarly qualified personnel to avoid danger.
- The device must be disconnected from the electrical network when removing the battery.
- Ensure that blocking is avoided between the actuated part and its fixed parts due to the opening movement of the actuated part.

WARNINGS FOR TECHNICIANS

- Before beginning the installation procedures, make sure that you have all the devices and materials necessary to complete the installation of the product.
- You should note your Protection Index (IP) and operating temperature to ensure that is suitable for the installation site.
- Provide the manual of the product to the user and let them know how to handle it in an emergency.
- If the automatism is installed on a gate with a pedestrian door, a door locking mechanism must be installed while the gate is in motion.
- Do not install the product "upside down" or supported by elements do not support its weight. If necessary, add brackets at strategic points to ensure the safety of the automatism.
- Do not install the product in explosive site.
- Safety devices must protect the possible crushing, cutting, transport and danger areas of the motorized door or gate.
- Verify that the elements to be automated (gates, door, windows, blinds, etc.) are in perfect function, aligned and level. Also verify if the necessary mechanical stops are in the appropriate places.
- The control board must be installed on a safe place of any fluid (rain, moisture, etc.), dust and pests.
- You must route the various electrical cables through protective tubes, to protect them against mechanical exertions, essentially on

01. SAFETY INSTRUCTIONS

the power supply cable. Please note that all the cables must enter the control board from the bottom.

- If the automatism is to be installed at a height of more than 2,5m from the ground or other level of access, the minimum safety and health requirements for the use of work equipment workers at the work of Directive 2009/104/CE of European Parliament and of the Council of 16 September 2009.
- Attach the permanent label for the manual release as close as possible to the release mechanism.
- Disconnect means, such as a switch or circuit breaker on the electrical panel, must be provided on the product's fixed power supply leads in accordance with the installation rules.
- If the product to be installed requires power supply of 230Vac or 110Vac, ensure that connection is to an electrical panel with ground connection.
- The product is only powered by low voltage safety with control board (only at 24V motors).
- Parts/products weighing more than 20 kg must be handled with special care due to the risk of injury. It is recommended to use suitable auxiliary systems for moving or lifting heavy objects.
- Pay special attention to the danger of falling objects or uncontrolled movement of doors/gates during the installation or operation of this product.

WARNINGS FOR USERS

- Keep this manual in a safe place to be consulted whenever necessary.
- If the product has contact with fluids without being prepared, it must immediately disconnect from the power supply to avoid short circuits, and consult a specialized technician.
- Ensure that technician has provided you the product manual and informed you how to handle the product in an emergency.
- If the system requires any repair or modification, unlock the automatism, turn off the power and do not use it until all safety

conditions have been met.

- In the event of tripping of circuits breakers or fuse failure, locate the malfunction and solve it before resetting the circuit breaker or replacing the fuse. If the malfunction is not repairable by consult this manual, contact a technician.
- Keep the operation area of the motorized gate free while the gate in in motion, and do not create strength to the gate movement.
- Do not perform any operation on mechanical elements or hinges if the product is in motion.

RESPONSABILITY

- Supplier disclaims any liability if:
 - Product failure or deformation result from improper installation use or maintenance!
 - Safety norms are not followed in the installation, use and maintenance of the product.
 - Instructions in this manual are not followed.
 - Damaged is caused by unauthorized modifications
 - In these cases, the warranty is voided.

MOTORLINE ELECTROCELOS SA.

Travessa do Sobreiro, nº29
4755-474 Rio Côvo (Santa Eugénia)
Barcelos, Portugal

SYMBOLS LEGEND:



• Important safety notices



• Useful information



• Programming information



• Potentiometer information



• Connectors information



• Buttons information



All operations requiring the opening of the device (cable connections, programming, etc.) must only be carried out by specialized technicians during the installation or programming! For any subsequent operation that requires the device to be opened again, contact your technical assistance.



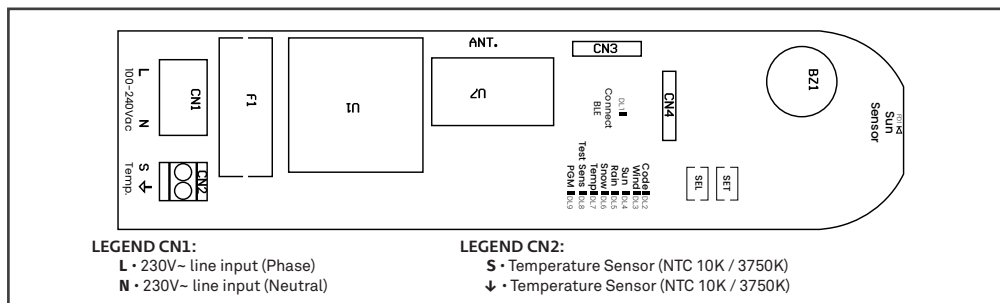
If this device is purchased together with an MOTORLINE awning, it is already programmed at the factory. In this case, you only need to adjust the wind and brightness limit according to your preference.

The technical characteristics are as follows:

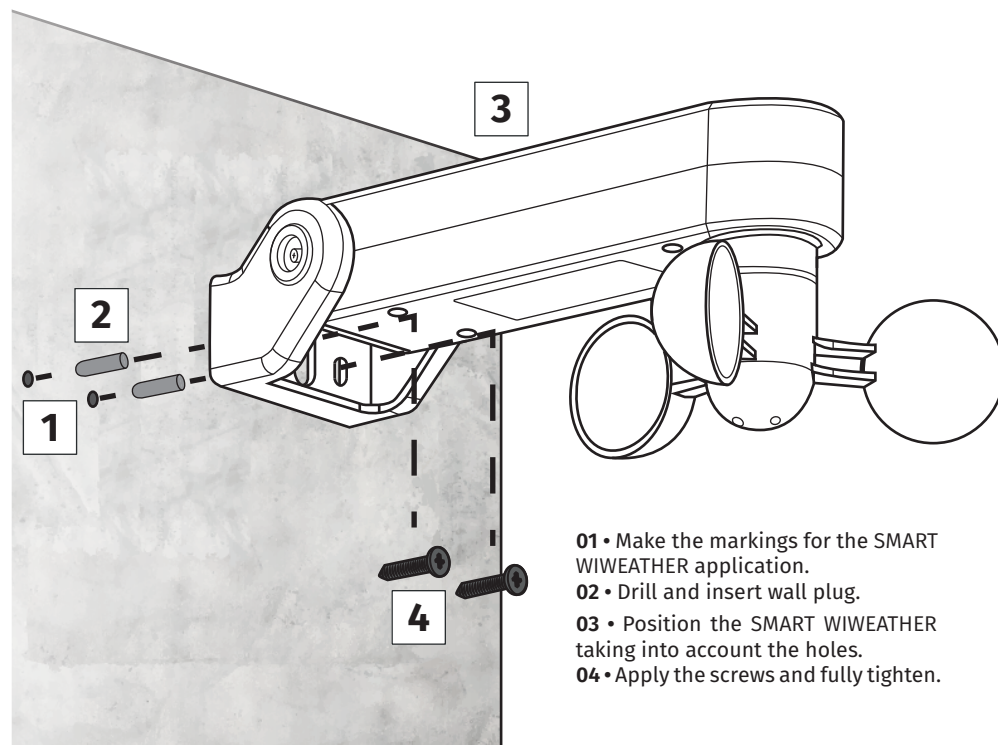
	SMART WIWEATHER
• Power Supply	230V 50/60Hz 3W max.
• Working temperature	-10 ~55°C
• Anemometer Sensitivity	5 ÷ 40 Km/h
• Sun Sensor Sensitivity	5 ÷ 40 Klux
• Protection class	IP54
• Frequency	433,92 Hz



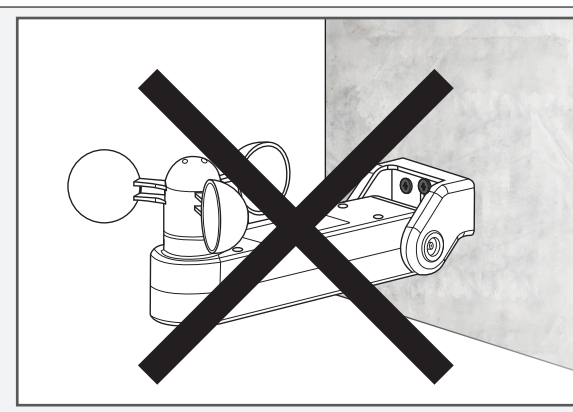
If this device sends an order to execute a safety closing due to activation of the rain or wind sensor, it is only possible to reopen the awning after 15 minutes.



02. INSTALLATION



SMART WIWEATHER must be installed in the position indicated in the installation drawing. If you do not respect this indication, it may jeopardize the normal functioning of the product.



03. OPERATION

INITIAL OPERATING CONDITION

- This device can be connected to one or more electronic control boards compatible with Rolling Code MOTORLINE, to receive information on the status of the sensor. For this operation, you have to program the Wireless Sensor in the control board to which it is to be connected.

WIND SENSOR OPERATION

- The sensor sends a closing order to the control board to which it is connected, whenever the wind speed exceeds the limits configured on the device. This order is signaled via the WIND MONITOR LED.

SUN SENSOR OPERATION

- The sensor sends an opening order to the control board to which it is connected, after 10 minutes with brightness above the limit selected on the potentiometer VR1, displayed through the SUN MONITOR LED. The sensor send a closing order after 10 minutes with brightness below the selected limit.

REGULATION OF SENSITIVITY TO THE SUN (5 ÷ 40 KLUX)

- The sensor allows the brightness limit to be adjusted using the VR1 potentiometer. When the SUN MONITOR LED is on, it means that the sun's intensity is higher than the selected threshold. This way, you can use this signal as a reference to set the threshold for the current brightness.



In this case the sensor should be installed so that the brightness is uniform throughout the day.

RAIN SENSOR OPERATION

- The sensor sends a closing order as soon as the sensitive part of the sensor is wet by water. This order is signaled by the RAIN MONITOR LED.

SNOW SENSOR OPERATION

- Snow detection is done by combining the rain sensor with the temperature sensor. If high humidity is detected and the temperature sensor measures temperatures below 4°C, the sensor sends an opening order via the SNOW MONITOR LED.

TEMPERATURE SENSOR OPERATION

- The sensor sends an opening order whenever the temperature sensor measures temperatures lower than 4°C. This order is signaled via the TEMP MONITOR LED.

04. MONITORING

- This device has 6 MONITOR signaling LEDs, to test whether the device sends closing or opening orders to the programmed control boards, corresponding to each sensor.

LED	OFF	ON
PGM	Monitor Sensors	PGM Stand Alone
SENS TEST	Test Sensors = OFF	Test Sensors = ON
TEMP MONITOR	Temperature > 4°C	Temperature < 4°C
SNOW MONITOR	INFO = OFF	INFO = ON
RAIN MONITOR	Dry rain sensor	Wet rain sensor
SUN MONITOR	Brightness below the limit	Brightness above the limit
WIND MONITOR	Wind below the limit	Wind above the limit
CODE MONITOR	Sending OFF Signal	Sending signal to the control board

05. PROGRAMMING AND SIGNALING

SEL BUTTON

- Allows you to select a function to change it by pressing the button until the respective LED flashes. The selection remains active for 15 seconds, after which time it goes to stand-by.

SET BUTTON

- Carries out the programming of the function chosen with the SEL button.

SIGNALING LED

- **LED on:** memorized option.
- **LED off:** option not memorized.
- **Flashing LED:** option selected.

SOUND SIGNALING

- **1 short BEEP:** option memorized.
- **2 short BEEPS:** device ready for operation.
- **3 short BEEPS:** option not memorized.
- **1 long BEEP:** Bluetooth disconnection.
- **2 long BEEPS:** RAIN sensor does not work.
- **3 long BEEPS:** RESET.



To carry out Stand Alone or Sensor Test programming, you will have to select PGM Stand Alone (LED ON) or Sensor Test (LED ON). The selection remains active for 2 minutes and then returns to Sensor Monitor Mode.

LED	OFF	ON
PGM	Monitor Sensors	PGM Stand Alone
TEST SENS	Test Function = OFF	Test Function = ON
TEMP	Temp. Sensor = OFF	Temp. Sensor = ON
SNOW	Snow Sensor = OFF	Snow Sensor = ON
RAIN	Rain Sensor = OFF	Rain Sensor = ON
SUN	Sun Sensor = OFF	Sun Sensor = ON
WIND	Wind Safety 25 km/h	Wind Safety programming
CODE	Code Send = OFF	Code Send = ON



As soon as the SMART WIWEATHER is configured on the control board, it **must be** connected to a power supply and kept within the range of the control board! Otherwise, the control board can not detect the sensor and enters in the safe mode, not allowing the awning to be opened.

PGM - STAND ALONE PROGRAMMING

The device is supplied with Stand Alone Programming turned off (LED PGM OFF), that is, it is in Monitor Sensors mode.

To change this setting, follow these instructions:

- 01 • Press the SEL button as many times as necessary until the PGM LED starts flashing.
- 02 • Press the SET button to change the state of the PGM LED.

TEST - ACTIVATE/DISABLE THE SENSOR TEST

The device is supplied with the wind, sun and rain sensors test off (LED TEST OFF).

To change this setting, follow these steps:

- 01 • Press the SEL button as many times as necessary until the TEST LED starts blinking.
- 02 • Press the SET button to change the status of the TEST LED.



When you are finished testing the sensors, you must **turn off** the Test mode so that the device can function normally.

TEST - WIND SENSOR TEST (ANEMOMETER)

01 • Manually turn the anemometer blades, the WIND LED and CODE LED will turn on, signalling the closing order sending to the control board, for 5 seconds.

TEST - SUN SENSOR TEST

• Before starting the test, make sure that the device is positioned so that it can be hit by sunlight (LED SUN ON).

01 • Shade the sun sensor area with your hand for 7-8 seconds and check that the SUN LED turn OFF and the CODE LED turn ON, signaling the sending of a closing order to the control board, for 5 seconds.

02 • Remove your hand from the Sun sensor, at that moment the SUN LED and the CODE LED will turn ON, signaling the sending of an opening order to the control board, for 5 seconds.

TEST - RAIN SENSOR TEST

01 • Lightly wet the rain sensor zone, and at the same time, RAIN MONITOR LED will turn on, signaling the order of closing order to the control board, for 5 seconds.

After completed the test, ensure to have dried the rain sensor zone before using the control board in the normal functioning.

TEST - TEMPERATURE SENSOR TEST

01 • Squeeze the temperature sensor between your fingers to vary the temperature by a few °C, the TEMP LED and CODE LED will turn ON, signaling the sending of an opening order to the control board, for 5 seconds.



Snow sensor test is not available.

TEMP - ACTIVATE/DISABLE THE TEMPERATURE SENSOR

• The device is supplied with the temperature sensor deactivated (TEMP OFF LED).

To change this setting, follow these instructions:

- 01 • Press the SEL button as many times as necessary until the TEMP LED starts flashing.
- 02 • Press the SET button to change the TEMP LED state.

When activated, the sensor commands closing if the temperature is below 4°C.

SNOW - ACTIVATE/DISABLE THE SNOW SENSOR

• The device is supplied with the snow sensor deactivated (LED SNOW OFF).

To change this setting, follow these instructions:

- 01 • Press the SEL button as many times as necessary until the SNOW LED starts flashing.
- 02 • Press the SET button to change the state of the SNOW LED.

When activated, the sensor commands opening in the event of rain and temperatures close to zero (possibility of snow). **It also deactivates the rain sensor and reverses operation, emergency mode.**



If the SMART WIWEATHER is installed on an awning, the Snow sensor must be deactivated to avoid damaging the product.

RAIN - ACTIVATE/DISABLE THE RAIN SENSOR

- The device comes with the rain sensor switched off (RAIN LED ON).

To change this setting, follow these steps:

01 • Press the SEL button as many times as necessary until the RAIN LED starts blinking.

02 • Press the SET button to change the status of the RAIN LED.

When activated, the sensor orders the closing in the event of rain.

(If the snow sensor is activated, the order reverses and the equipment will open.)

SUN - ACTIVATE/DISABLE THE SUN SENSOR

- The device is supplied with the sun sensor turned off (LED SUN OFF).

SUN LUMINOSITY LIMIT PROGRAMMING

- To activate this setting, follow these instructions:

01 • Press the SEL button as many times as necessary until the SUN LED starts flashing.

02 • Press the SET button and the **Sun Brightness Limit** programming process will begin.

03 • The SUN LED will flash twice, with each double flash of the SUN LED equivalent to an increase LOW - MEDIUM - HIGH.

04 • Press the SET button when the SUN LED flashes as many times as necessary for the desired limit, in order to memorize this option.

(example: 2 double flashes of the SUN LED = configured average brightness)

The SUN LED will turn ON to confirm the success of the operation.

CHECK SUN LUMINOSITY LIMIT

- To check the Sun's Luminosity Limit, follow the following instructions:

01 • Press the SEL button as many times as necessary until the SUN LED starts flashing.

The SUN LED will flash twice, with each double flash of the SUN LED equivalent to an increase LOW - MEDIUM - HIGH.

(example: 2 double flashes of the SUN LED = configured average brightness)

DISABLE SUN SENSOR

- To deactivate the sun sensor, follow these instructions:

01 • Press the SEL button as many times as necessary until the SUN LED starts flashing.

02 • Press and hold the SET button for 3sec and the SUN LED will turn OFF.

WIND - ACTIVATE/DISABLE THE WIND SENSOR

- The device is supplied with the wind sensor turned on (LED WIND ON) and with an intervention limit equivalent to 25km/h.

CHECK PROGRAMMED WIND LIMIT

- To consult the Defined Wind Limit, follow the following instructions:

01 • Press the SEL button as many times as necessary until the WIND LED starts flashing.

The WIND LED will show the defined wind limit through double flashes, with each double flash equivalent to an increase of 5Km/h.

(example: 5 double flashes of the WIND LED = 25 km/h)

SET WIND LIMIT BETWEEN 5 AND 40KM/H

- To change the wind safety limit, follow these instructions:

01 • Press the SEL button as many times as necessary until the WIND LED flashes.

02 • Press the SET button to enter programming mode.

WIND - ACTIVATE/DISABLE THE WIND SENSOR

03 • The WIND LED will flash in double flashes, each one equivalent to an increase of 5Km/h.

04 • Press the SET button when the WIND LED flashes as many times as necessary for the desired limit, in order to memorize this option.

(example: 4 double flashes of the WIND LED = 20 Km/h)

The WIND LED will turn ON to confirm the success of the operation.

DEACTIVATE WIND SENSOR

- To deactivate the wind sensor, follow these instructions:

01 • Press the SEL button as many times as necessary until the WIND LED starts flashing.

02 • Press and hold the SET button for 3sec and the WIND LED will turn OFF.

CODE - SEND COMMAND SIGNAL

- The device must be connected to the control board as follows:

01 • On the control board, activate the command signal configuration function (see the technical manual of the control board)

02 • Press the SEL button as many times as necessary until the CODE LED starts blinking.

03 • Press the SET button for 1 to 2 seconds.

At this time, the sensor will send a code to the control board, signaled by the CODE MONITOR LED.



You should check the connected control board if there is any confirmation that the sensor is programmed (see the control board manual).

The sensor will send command signals depending on weather conditions.

Repeat the above operations if you wish to program the same sensor in other compatible control boards.

RESET

To return to the factory settings, press the SEL and SET buttons simultaneously until all the LEDs are lit at the same time. The LEDs will turn off immediately, signaling the success of the operation.

