



ROLLING600-800-1000-1500

USER/INSTALLER MANUAL









00. CONTENT

ÍNDICE

01. SAFETY INSTRUCTIONS	1B
02. INFORMATION	
SECURITY INFORMATION	4A
TECHNICAL CHARACTERISTICS	4A
03. PACKAGE	
INSIDE THE PACKAGE	4B
TECHNICAL DRAWING	4B
04. INSTALLATION AND ADJUSTMENTS	
INSTALLING THE MOTOR ON THE LEFT SIDE	5A
GEAR BRACKET	5A
SQUARE PLATE BRACKET	5B
BEARING INSTALLATION	5B
INSTALLATION OF THE GEAR	6A
LIMIT SWITCHES ADJUSTMENT	6A
CHAIN	6B
05. CONNECTION SCHEME	
CONNECTION TO SWITCH OR CONTROL BOARD (600-800-100)	7
CONNECTION TO SWITCH OR CONTROL BOARD (1500)	8
06. MAINTENANCE	
TROUBLESHOOTING	9

01. SAFETY INSTRUCTIONS

	This product is certified in accordance with European Community (EC) safety standards.
	This product complies with Directive 2011/65/EU of the European Parliament and of the Council, of 8 June 2011, on the restriction of the use of certain hazardous substances in electrical and electronic equipment and with Delegated Directive (EU) 2015/863 from Commission.
	(Applicable in countries with recycling systems). This marking on the product or literature indicates that the product and electronic accessories (eg. Charger, USB cable, electronic material, controls, etc.) should not be disposed of as other household waste at the end of its useful life. To avoid possible harm to the environment or human health resulting from the uncontrolled disposal of waste, separate these items from other types of waste and recycle them responsibly to promote the sustainable reuse of material resources. Home users should contact the dealer where they purchased this product or the National Environment Agency for details on where and how they can take these items for environmentally safe recycling. Business users should contact their vendor and check the terms and conditions of the purchase agreement. This product and its electronic accessories should not be mixed with other commercial waste.
	This marking indicates that batteries should not be discarded like other household waste at the end of their useful life. Batteries must be delivered to selective collection points for recycling.
	The different types of packaging (cardboard, plastic, etc.) must be subject to selective collection for recycling. Separate packaging and recycle it responsibly.
	This marking indicates that the product and electronic accessories (eg. charger, USB cable, electronic material, controls, etc.) are susceptible to electric shock by direct or indirect contact with electricity. Be cautious when handling the product and observe all safety procedures in this manual.

01. SAFETY INSTRUCTIONS

GENERAL WARNINGS

- This manual contains very important safety and usage information. Read all instructions carefully before beginning the installation/usage procedures and keep this manual in a safe place that it can be consulted whenever necessary.
- This product is intended for use only as described in this manual. Any other enforcement or operation that is not mentioned is expressly prohibited, as it may damage the product and put people at risk causing serious injuries.
- This manual is intended firstly for specialized technicians, and does not invalidate the user's responsibility to read the "User Norms" section in order to ensure the correct functioning of the product.
- The installation and repair of this product may be done by qualified and specialized technicians, to assure every procedure are carried out in accordance with applicable rules and norms. Nonprofessional and inexperienced users are expressly prohibited of taking any action, unless explicitly requested by specialized technicians to do so.
- Installations must be frequently inspected for unbalance and the wear signals of the cables, springs, hinges, wheels, supports and other mechanical assembly parts.
- Do not use the product if it is necessary repair or adjustment is required.
- When performing maintenance, cleaning and replacement of parts, the product must be disconnected from power supply. Also including any operation that requires opening the product cover.
- The use, cleaning and maintenance of this product may be carried out by any persons aged eight years old and over and persons whose physical, sensorial or mental capacities are lower, or by persons without any knowledge of the product, provided that these are supervision and instructions given by persons with experienced in terms of usage of the product in a safe manner and who understands the risks and dangers involved.

- Children shouldn't play with the product or opening devices to avoid the motorized door or gate from being triggered involuntarily.
- If the power cable is damaged, it must be replaced by the manufacturer, after-sales service or similarly qualified personnel to avoid danger.
- The device must be disconnected from the electrical network when removing the battery.
- Ensure that blocking is avoided between the actuated part and its fixed parts due to the opening movement of the actuated part.

WARNINGS FOR TECHNICIANS

- Before beginning the installation procedures, make sure that you have all the devices and materials necessary to complete the installation of the product.
- You should note your Protection Index (IP) and operating temperature to ensure that is suitable for the installation site.
- Provide the manual of the product to the user and let them know how to handle it in an emergency.
- If the automatism is installed on a gate with a pedestrian door, a door locking mechanism must be installed while the gate is in motion.
- Do not install the product "upside down" or supported by elements do not support its weight. If necessary, add brackets at strategic points to ensure the safety of the automatism.
- Do not install the product in explosive site.
- Safety devices must protect the possible crushing, cutting, transport and danger areas of the motorized door or gate.
- Verify that the elements to be automated (gates, door, windows, blinds, etc.) are in perfect function, aligned and level. Also verify if the necessary mechanical stops are in the appropriate places.
- The control board must be installed on a safe place of any fluid (rain, moisture, etc.), dust and pests.
- You must route the various electrical cables through protective tubes, to protect them against mechanical exertions, essentially on

01. SAFETY INSTRUCTIONS

the power supply cable. Please note that all the cables must enter the control board from the bottom.

- If the automatism is to be installed at a height of more than 2,5m from the ground or other level of access, the minimum safety and health requirements for the use of work equipment workers at the work of Directive 2009/104/CE of European Parliament and of the Council of 16 September 2009.
- Attach the permanent label for the manual release as close as possible to the release mechanism.
- Disconnect means, such as a switch or circuit breaker on the electrical panel, must be provided on the product's fixed power supply leads in accordance with the installation rules.
- If the product to be installed requires power supply of 230Vac or 110Vac, ensure that connection is to an electrical panel with ground connection.
- The product is only powered by low voltage safety with control board (only at 24V motors).
- Parts/products weighing more than 20 kg must be handled with special care due to the risk of injury. It is recommended to use suitable auxiliary systems for moving or lifting heavy objects.
- Pay special attention to the danger of falling objects or uncontrolled movement of doors/gates during the installation or operation of this product.

WARNINGS FOR USERS

- Keep this manual in a safe place to be consulted whenever necessary.
- If the product has contact with fluids without being prepared, it must immediately disconnect from the power supply to avoid short circuits, and consult a specialized technician.
- Ensure that technician has provided you the product manual and informed you how to handle the product in an emergency.
- If the system requires any repair or modification, unlock the automatism, turn off the power and do not use it until all safety

conditions have been met.

- In the event of tripping of circuits breakers or fuse failure, locate the malfunction and solve it before resetting the circuit breaker or replacing the fuse. If the malfunction is not repairable by consult this manual, contact a technician.
- Keep the operation area of the motorized gate free while the gate in in motion, and do not create strength to the gate movement.
- Do not perform any operation on mechanical elements or hinges if the product is in motion.

RESPONSABILITY

- Supplier disclaims any liability if:
 - Product failure or deformation result from improper installation use or maintenance!
 - Safety norms are not followed in the installation, use and maintenance of the product.
 - Instructions in this manual are not followed.
 - Damaged is caused by unauthorized modifications
 - In these cases, the warranty is voided.

MOTORLINE ELECTROCELOS SA.

Travessa do Sobreiro, nº29
4755-474 Rio Côvo (Santa Eugénia)
Barcelos, Portugal

SYMBOLS LEGEND:



• Important safety notices



• Useful information



• Programming information



• Potentiometer information



• Connectors information



• Buttons information

02. INFORMATION

SECURITY INFORMATION

Carefully read and follow all safety instructions and warnings before installing and using the Door. Incorrect installation may cause damage.

- The Door must be installed by a qualified technician; otherwise it may cause malfunction and damage.
- All users must be notified that they must not use the Door without being in sight.
- Keep the remote controls away from children, in order to prevent the door from being unintentionally activated.
- Before any technical intervention, the electricity must be cut off.
- DO NOT make any changes to any component of the Door, it may cause malfunction and damage. We do not accept liability for malfunction or damages.
- Do not go under the door while it is opening or closing.
- The door must be leveled.
- DO NOT PULL the chain or unlocking lever while the door is moving.
- DO NOT PULL the door for use, otherwise it may cause malfunction and damage (It is just an emergency brake).
- Regularly check the operating of the Door. If you notice any anomalies, please contact us.
- Our company reserves the right to change the design and specifications without prior notice.
- Please install the motor as shown. Otherwise we are not responsible for any damage.

Model	Energy Input	Output torque	Max. weight	Rotation speed	Height	Bearing	Consumption
ROLLING600SP	220Vac 50/60 Hz	410 Nm	600 kg	6.5 rpm	6 m	127 mm	2.3A
ROLLING800SP	220Vac 50/60 Hz	640 Nm	800 kg	3.7 rpm	9 m	152.4 mm	3.7A
ROLLING1000SP	220Vac 50/60 Hz	710 Nm	1000 kg	5.5 rpm	9 m	152.4 mm	2.4A
ROLLING1500SP	380Vac 50/60 Hz	1600Nm	1500 kg	4.9 rpm	9 m	203,2 mm	2.4A

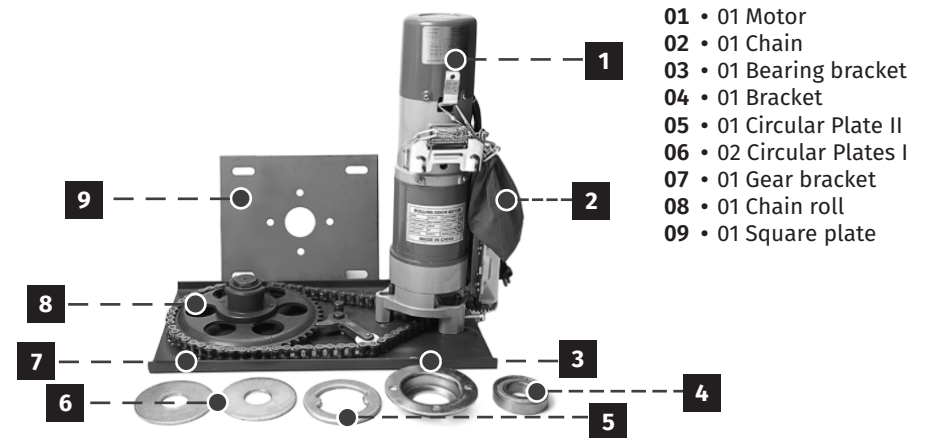
NOTE: The Max. Weight value does not correspond to the maximum weight of the door. The door weight should be less than Max. weight lifting. You should pay attention to wind resistance, guides and resistance and other factors.

TECHNICAL CHARACTERISTICS

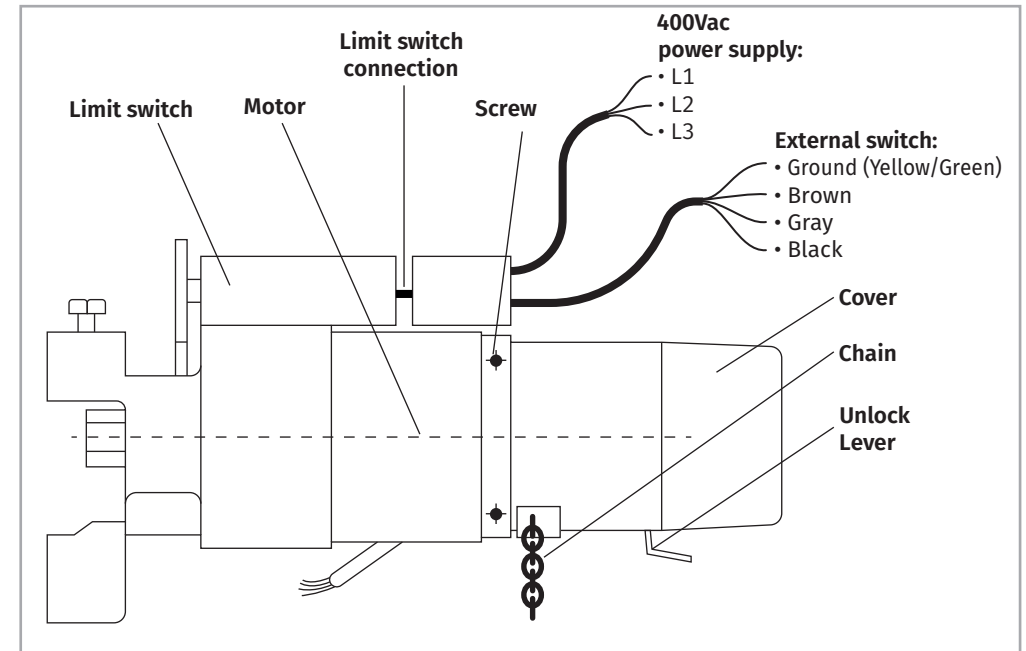
- Compact, attractive, safe design and reliable performance.
- Light, silent, easy installation.
- Operations manual in case of power failure.

03. PACKAGE

INSIDE THE PACKAGE



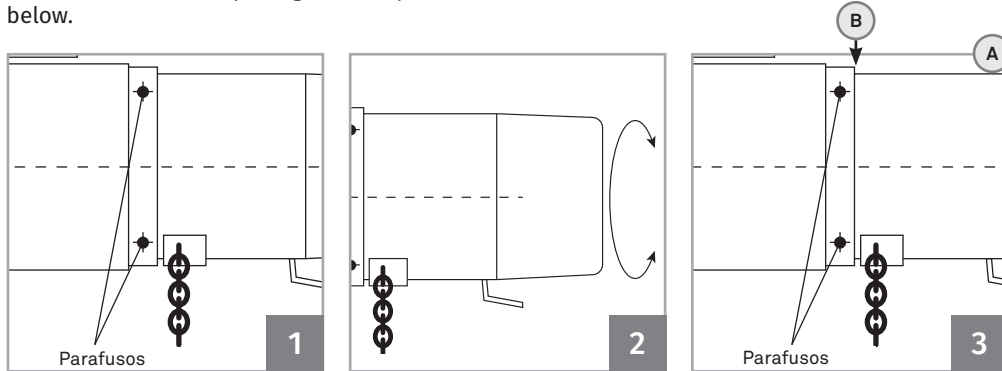
TECHNICAL DRAWING



04. INSTALLATION AND ADJUSTMENTS

INSTALLING THE MOTOR ON THE LEFT SIDE

It is possible to install the door motor on the left or right side. It is normally delivered on the right side (seen from the opening side). If you need to switch to the left side, follow the instructions below.



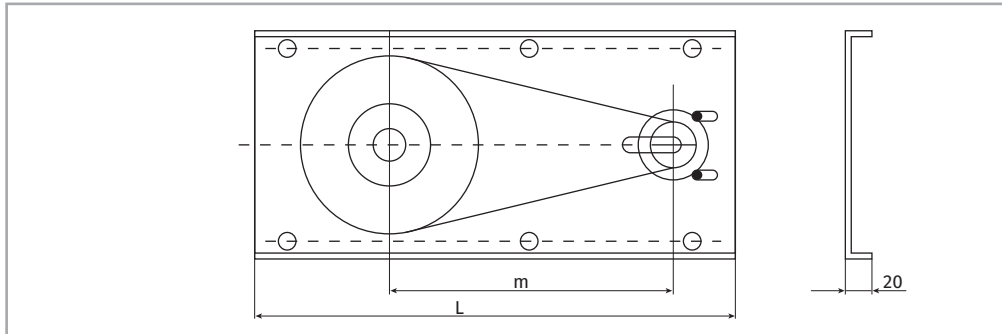
01 • Loosen the 4 screws

02 • Rotate 180 degrees

03 • Confirm that the chain is in the vertical position, and retighten the 4 screws. Ensure there are no gaps between the "A" sections.

GEAR BRACKET

Install the gear bracket on the wall or the bracket horizontally. If the distance is insufficient, the bracket angle must be adjusted (installation angle can be adjusted between 0° and 44°, make sure the chain stays in the vertical position). Dimensions for installation (see table).

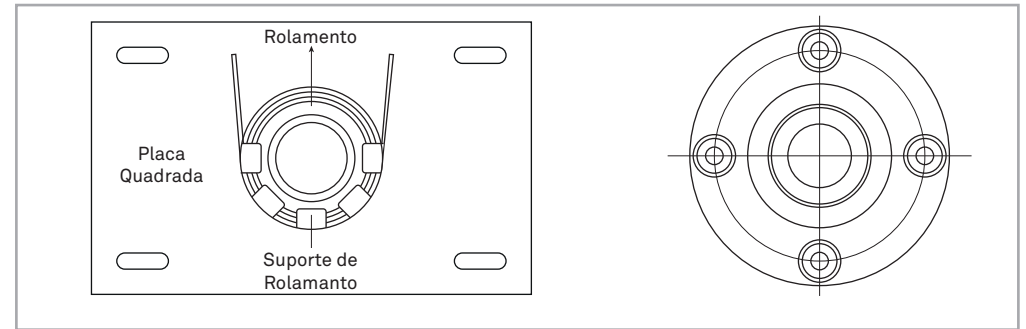


Model	Distance to centers	Length	Width
ROLLING600SP	304 mm	515 mm	300 mm
ROLLING800SP	345.5 mm	580 mm	320 mm
ROLLING1000SP	339 mm	600 mm	360 mm
ROLLING1500SP	491 mm	685 mm	360 mm

04. INSTALLATION AND ADJUSTMENTS

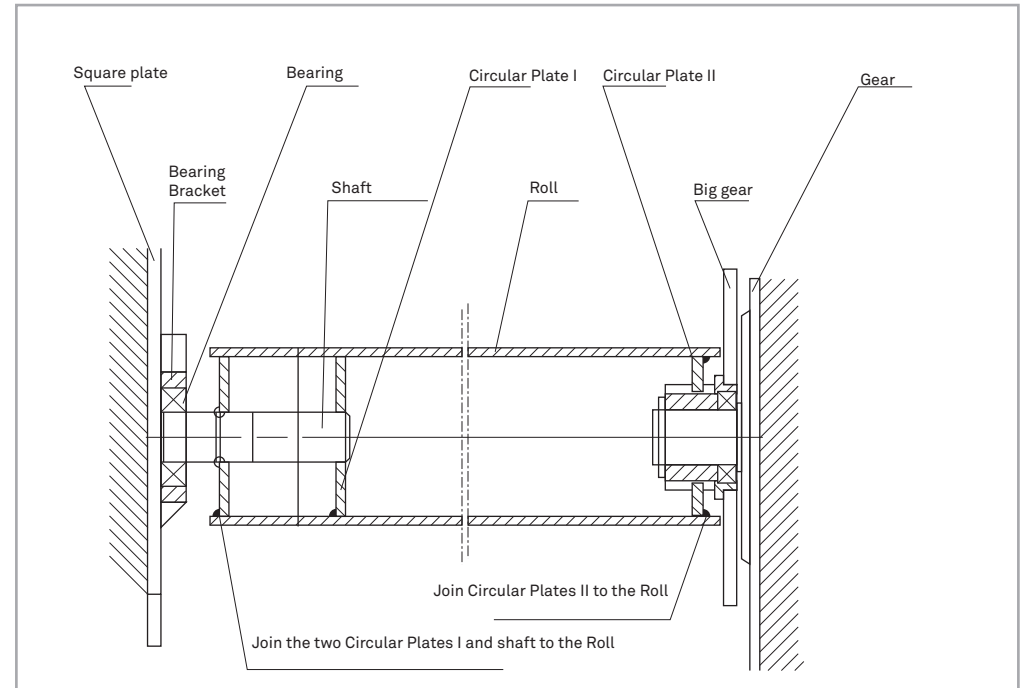
SQUARE PLATE BRACKET

Fix the bracket to the square plate as shown. Fix the square plate to the wall or wall bracket on the opposite side of the gear.



BEARING INSTALLATION

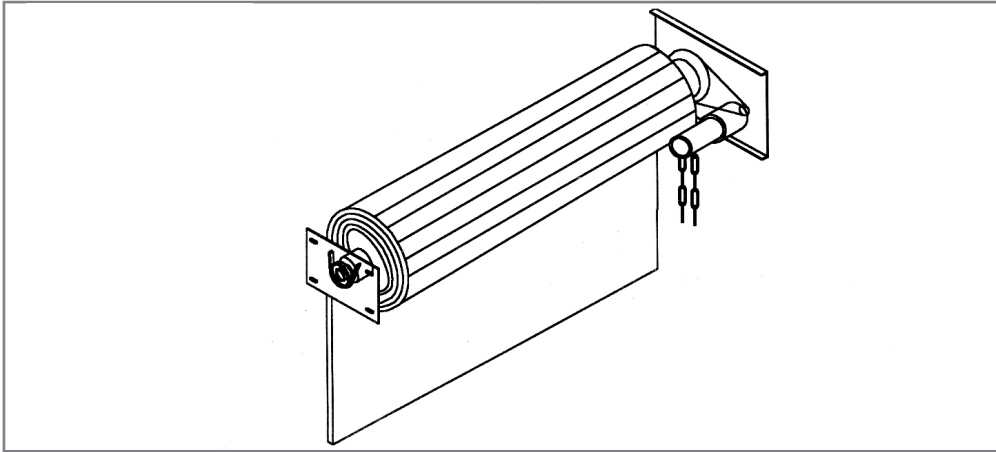
Install the bearing as shown below.



04. INSTALLATION AND ADJUSTMENTS

INSTALLATION OF THE GEAR

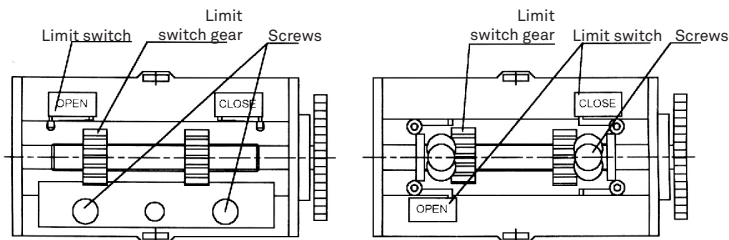
Fix the door motor to the gear. Make sure the nuts are tight and the chain is vertical position.



LIMIT SWITCHES ADJUSTMENT

Limit switches are needed to adjust the opening and closing positions.

- 01 • Turn the screw to release the limit switch gear and open the door to the desired position, turn the limit switch gear until you hear the OPEN switch click, and tighten the screw.
- 02 • Turn the screw to release the limit switch gear and close the door to the desired position, turn the limit switch gear until you hear the CLOSE switch click, and tighten the screw.
- 03 • After adjustment, you can open and close the door to see if the door successfully reaches the opening and closing positions. If the door does not reach the desired opening and closing position, adjust the gear until you find the desired distance.



04. INSTALLATION AND ADJUSTMENTS

CHAIN

The Motor is supplied with a chain for manual lifting of the grille.
In case of using the chain, make slow movements to move the grille.
Cannot move the chain when the motor is running.
For greater safety, when moving the chain, turn off the circuit breaker that supplies the motorization.



ATTENTION: Respect this information so that you do not damage the product or cause personal injury.

MODEL	CHAIN
AC-2001P • AC-3001P • AC5001P	Pull in both directions
DC-300kg/500kg/750kg	Pull in both directions

Pull the unlocking lever to quickly release the door.



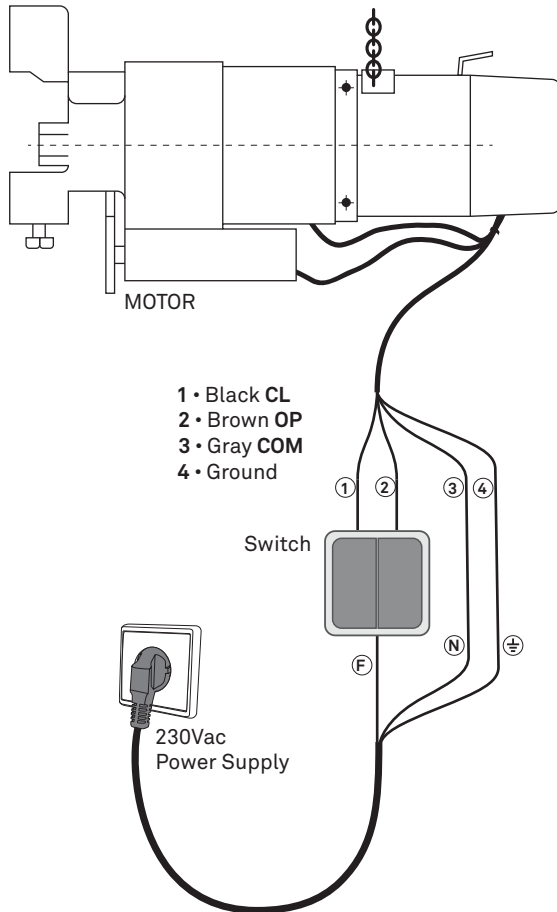
WARNING: When pulling the unlocking lever to release the door, do not attempt to step through the door. Otherwise, serious malfunctions or equipment damage may occur.

05. CONNECTION SCHEME

CONNECTION TO SWITCH OR CONTROL BOARD (600-800-1000)

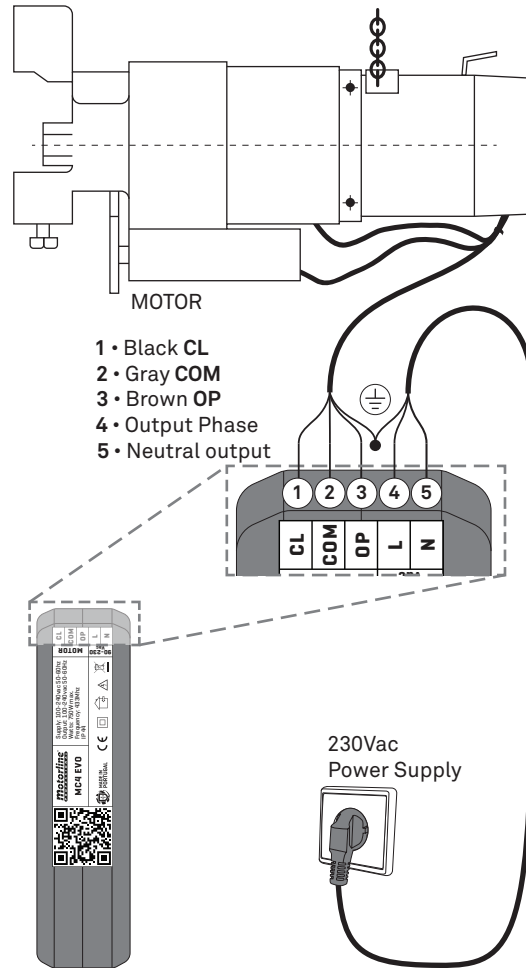
SWITCH

- Included as standard



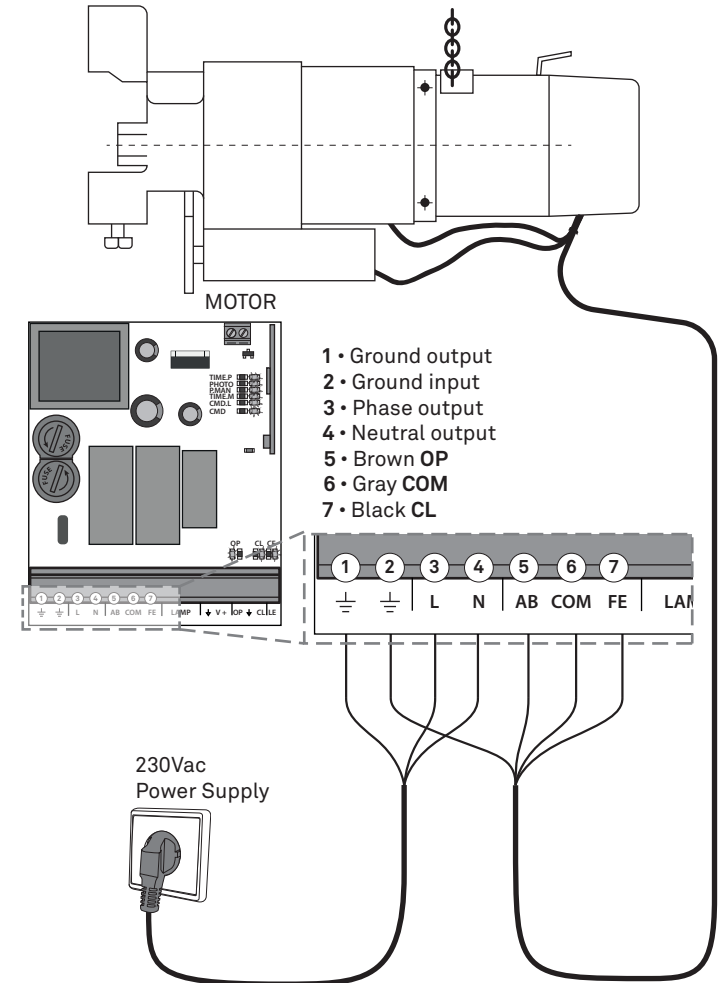
MC4 EVO (OPTIONAL)

- Control board to work only with remote control



MC75 (OPTIONAL)

- Control board to work with remote control, pushbutton and allows placement of Photocells/Security Systems



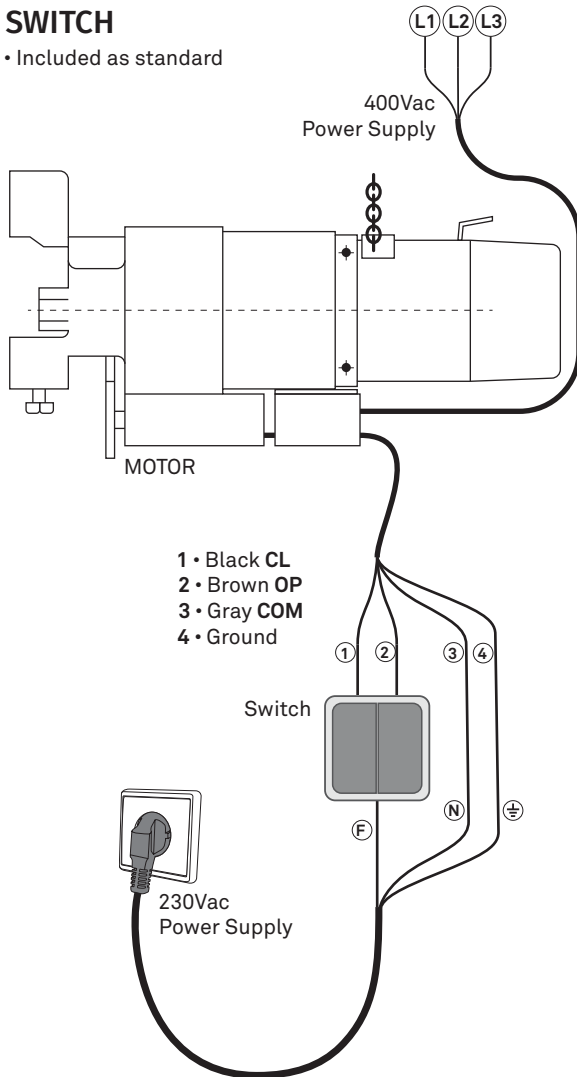
The rolling door motor must be connected to the ground, connect the ground wire to the gear bracket. If the direction of movement of the door is wrong, the connection wires must be reversed.

05. CONNECTION SCHEME

CONNECTION TO SWITCH OR CONTROL BOARD (1500)

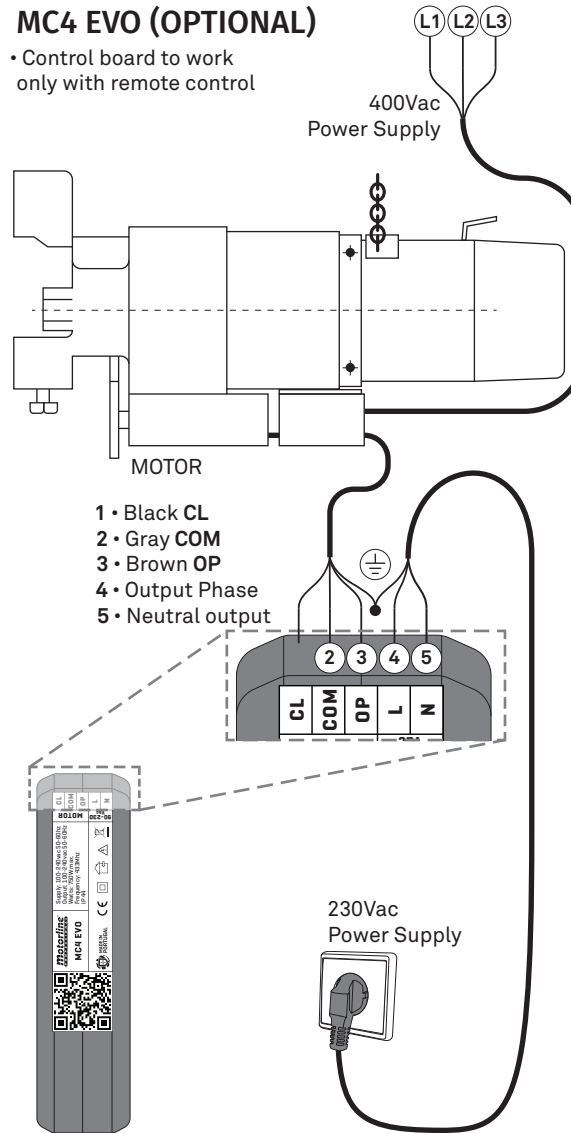
SWITCH

• Included as standard



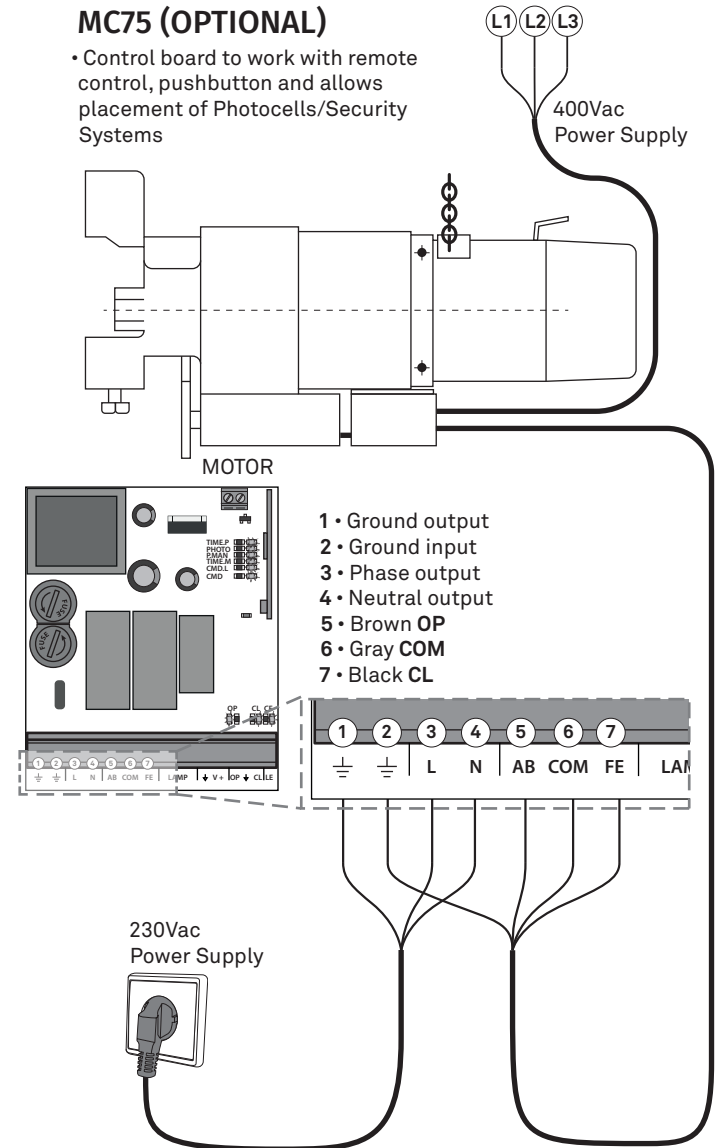
MC4 EVO (OPTIONAL)

• Control board to work only with remote control



MC75 (OPTIONAL)

• Control board to work with remote control, pushbutton and allows placement of Photocells/Security Systems



The rolling door motor must be connected to the ground, connect the ground wire to the gear bracket. If the direction of movement of the door is wrong, the connection wires must be reversed.

06. MAINTENANCE

Check the door once a month. The door must be working without any defect.
Regularly check the limit switches.
For assistance, contact a qualified technician.
Our company reserves the right to change the design and specifications without prior notice.

TROUBLESHOOTING

Behavior	Procedure	Find the source of the problem
Door does not stop at desired position.	Check limit switches	Replace limit switch or check connections and adjustments
Motor only works in one direction	Check limit switches or Photocells	Check wires for Limit switches.
Motor fails when external Pushbutton is pressed	Check Pushbutton contacts	Replace switch or check connections
After stopping the door goes down/up	The locking brake is worn out	Check compression spring on motor, add a spacer if necessary