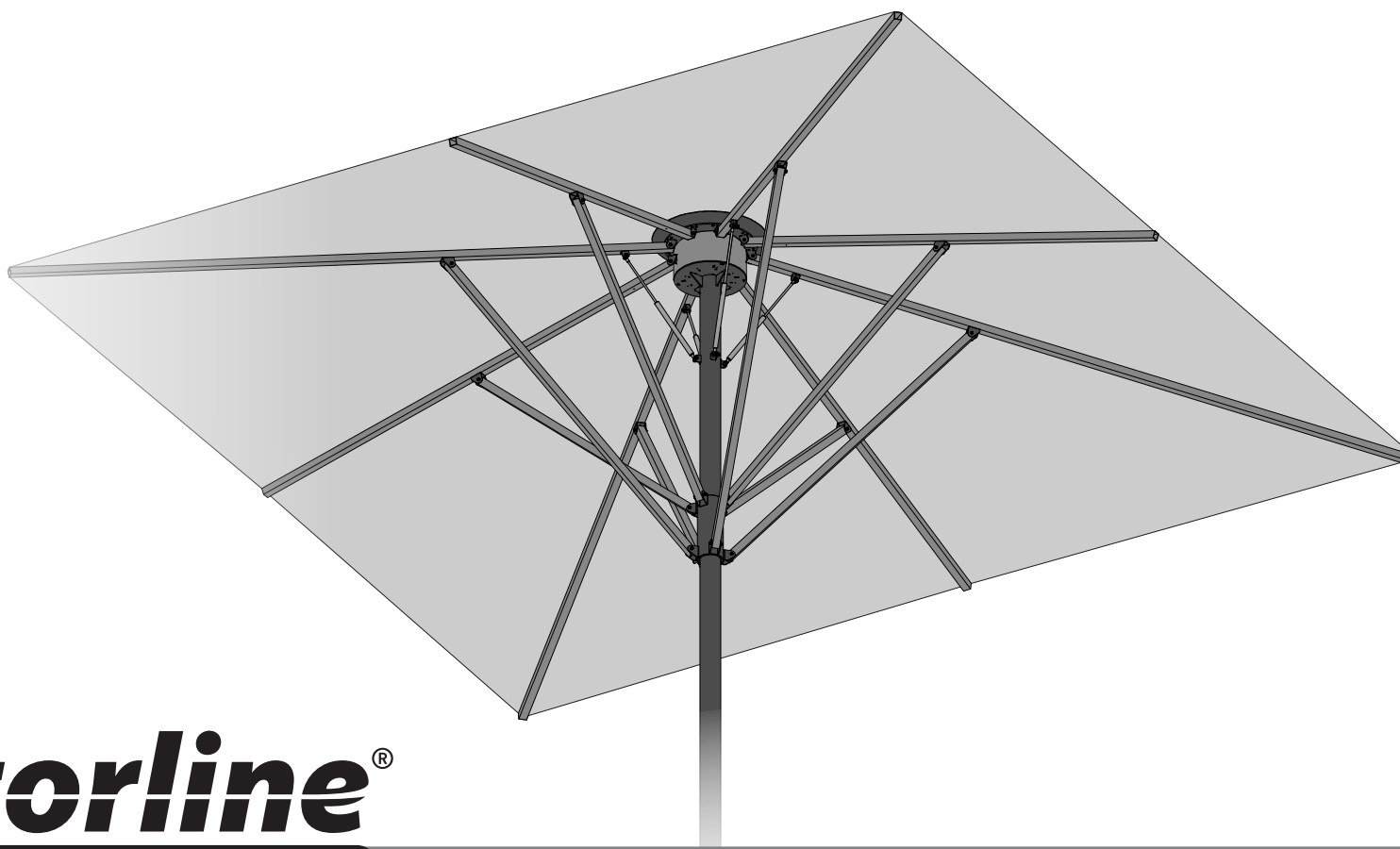




# UMBRA

## USER/INSTALLER MANUAL








**motorline**<sup>®</sup>  
**PROFESSIONAL**

# 00. CONTENT

## INDEX

<b>01. SAFETY INSTRUCTIONS</b>	1B
<b>02. AUTOMATISM</b>	
TECHNICAL CHARACTERISTICS	4A
KIT COMPOSITION	4A
DIMENSIONS	4B
<b>03. INSTALLATION</b>	
FIXING THE PARASOL	5
OPENING/CLOSING	6A
MANUAL UNLOCK	6B

# 01. SAFETY INSTRUCTIONS

	This product is certified in accordance with European Community (EC) safety standards.
<b>RoHS</b>	This product complies with Directive 2011/65/EU of the European Parliament and of the Council, of 8 June 2011, on the restriction of the use of certain hazardous substances in electrical and electronic equipment and with Delegated Directive (EU) 2015/863 from Commission.
	(Applicable in countries with recycling systems). This marking on the product or literature indicates that the product and electronic accessories (eg. Charger, USB cable, electronic material, controls, etc.) should not be disposed of as other household waste at the end of its useful life. To avoid possible harm to the environment or human health resulting from the uncontrolled disposal of waste, separate these items from other types of waste and recycle them responsibly to promote the sustainable reuse of material resources. Home users should contact the dealer where they purchased this product or the National Environment Agency for details on where and how they can take these items for environmentally safe recycling. Business users should contact their vendor and check the terms and conditions of the purchase agreement. This product and its electronic accessories should not be mixed with other commercial waste.
	This marking indicates that batteries should not be discarded like other household waste at the end of their useful life. Batteries must be delivered to selective collection points for recycling.
	The different types of packaging (cardboard, plastic, etc.) must be subject to selective collection for recycling. Separate packaging and recycle it responsibly.
	This marking indicates that the product and electronic accessories (eg. charger, USB cable, electronic material, controls, etc.) are susceptible to electric shock by direct or indirect contact with electricity. Be cautious when handling the product and observe all safety procedures in this manual.

## 01. SAFETY INSTRUCTIONS

### **GENERAL WARNINGS**

- This manual contains very important safety and usage information. Read all instructions carefully before beginning the installation/usage procedures and keep this manual in a safe place that it can be consulted whenever necessary.
- This product is intended for use only as described in this manual. Any other enforcement or operation that is not mentioned is expressly prohibited, as it may damage the product and put people at risk causing serious injuries.
- This manual is intended firstly for specialized technicians, and does not invalidate the user's responsibility to read the "User Norms" section in order to ensure the correct functioning of the product.
- The installation and repair of this product may be done by qualified and specialized technicians, to assure every procedure are carried out in accordance with applicable rules and norms. Nonprofessional and inexperienced users are expressly prohibited of taking any action, unless explicitly requested by specialized technicians to do so.
- Installations must be frequently inspected for unbalance and the wear signals of the cables, springs, hinges, wheels, supports and other mechanical assembly parts.
- Do not use the product if it is necessary repair or adjustment is required.
- When performing maintenance, cleaning and replacement of parts, the product must be disconnected from power supply. Also including any operation that requires opening the product cover.
- The use, cleaning and maintenance of this product may be carried out by any persons aged eight years old and over and persons whose physical, sensorial or mental capacities are lower, or by persons without any knowledge of the product, provided that these are supervision and instructions given by persons with experienced in terms of usage of the product in a safe manner and who understands the risks and dangers involved.

## 01. SAFETY INSTRUCTIONS

### **WARNINGS FOR TECHNICIANS**

- Children shouldn't play with the product or opening devices to avoid the motorized door or gate from being triggered involuntarily.
- If the power cable is damaged, it must be replaced by the manufacturer, after-sales service or similarly qualified personnel to avoid danger.
- The device must be disconnected from the electrical network when removing the battery.
- Ensure that blocking is avoided between the actuated part and its fixed parts due to the opening movement of the actuated part.

- Before beginning the installation procedures, make sure that you have all the devices and materials necessary to complete the installation of the product.
- You should note your Protection Index (IP) and operating temperature to ensure that is suitable for the installation site.
- Provide the manual of the product to the user and let them know how to handle it in an emergency.
- If the automatism is installed on a gate with a pedestrian door, a door locking mechanism must be installed while the gate is in motion.
- Do not install the product "upside down" or supported by elements do not support its weight. If necessary, add brackets at strategic points to ensure the safety of the automatism.
- Do not install the product in explosive site.
- Safety devices must protect the possible crushing, cutting, transport and danger areas of the motorized door or gate.
- Verify that the elements to be automated (gates, door, windows, blinds, etc.) are in perfect function, aligned and level. Also verify if the necessary mechanical stops are in the appropriate places.
- The control board must be installed on a safe place of any fluid (rain, moisture, etc.), dust and pests.
- You must route the various electrical cables through protective tubes, to protect them against mechanical exertions, essentially on

## 01. SAFETY INSTRUCTIONS

the power supply cable. Please note that all the cables must enter the control board from the bottom.

- If the automatism is to be installed at a height of more than 2,5m from the ground or other level of access, the minimum safety and health requirements for the use of work equipment workers at the work of Directive 2009/104/CE of European Parliament and of the Council of 16 September 2009.
- Attach the permanent label for the manual release as close as possible to the release mechanism.
- Disconnect means, such as a switch or circuit breaker on the electrical panel, must be provided on the product's fixed power supply leads in accordance with the installation rules.
- If the product to be installed requires power supply of 230Vac or 110Vac, ensure that connection is to an electrical panel with ground connection.
- The product is only powered by low voltage safety with control board (only at 24V motors).
- Parts/products weighing more than 20 kg must be handled with special care due to the risk of injury. It is recommended to use suitable auxiliary systems for moving or lifting heavy objects.
- Pay special attention to the danger of falling objects or uncontrolled movement of doors/gates during the installation or operation of this product.

### WARNINGS FOR USERS

- Keep this manual in a safe place to be consulted whenever necessary.
- If the product has contact with fluids without being prepared, it must immediately disconnect from the power supply to avoid short circuits, and consult a specialized technician.
- Ensure that technician has provided you the product manual and informed you how to handle the product in an emergency.
- If the system requires any repair or modification, unlock the automatism, turn off the power and do not use it until all safety

## 01. SAFETY INSTRUCTIONS

conditions have been met.

- In the event of tripping of circuits breakers or fuse failure, locate the malfunction and solve it before resetting the circuit breaker or replacing the fuse. If the malfunction is not repairable by consult this manual, contact a technician.
- Keep the operation area of the motorized gate free while the gate in in motion, and do not create strength to the gate movement.
- Do not perform any operation on mechanical elements or hinges if the product is in motion.

### RESPONSABILITY

- Supplier disclaims any liability if:
  - Product failure or deformation result from improper installation use or maintenance!
  - Safety norms are not followed in the installation, use and maintenance of the product.
  - Instructions in this manual are not followed.
  - Damaged is caused by unauthorized modifications
  - In these cases, the warranty is voided.

### **MOTORLINE ELECTROCELOS SA.**

Travessa do Sobreiro, nº29  
4755-474 Rio Côvo (Santa Eugénia)  
Barcelos, Portugal

### SYMBOLS LEGEND:



• Important safety notices



• Useful information



• Programming information



• Potentiometer information



• Connectors information



• Buttons information

## 02. AUTOMATISM

### TECHNICAL CHARACTERISTICS

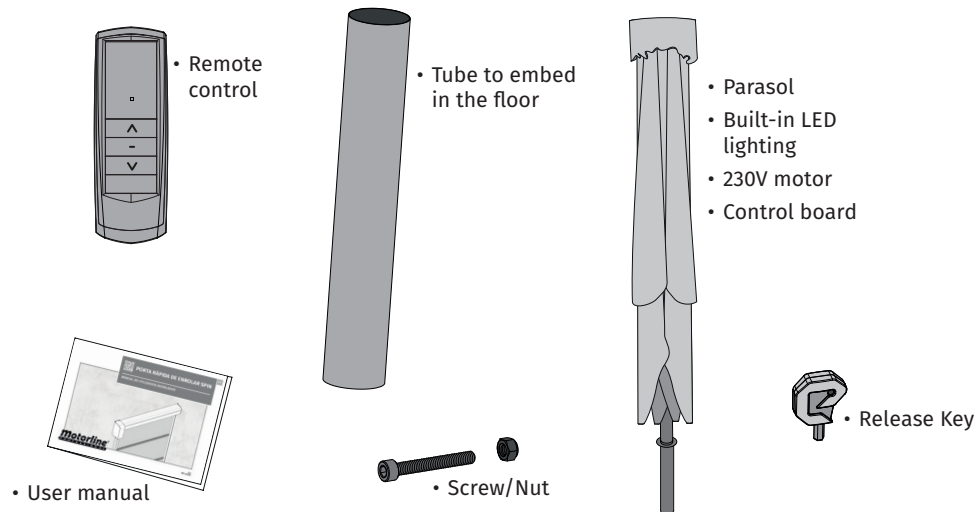
The **UMBRA** is an automatic parasol, with a metallic structure in galvanized and lacquered steel that gives it **great resistance to strong winds**.

Includes night lighting LEDs and special fabric from the Sauleda Screen 50 line, providing thermal protection and natural, refreshing shade.

	UMBRA40	UMBRA35	UMBRA30	UMBRA25
• Power supply	230Vac 50/60Hz			
• Power	230W			
• Opening time	20 sec. at 28 sec.	20 sec. at 28 sec.	13 sec. at 18 sec.	8 sec. at 13 sec.
• Opening speed	20mm/seg			
• Noise	LpA <= 50 dB (A)			
• Operating temperature	-25°C to 65°C			
• Protection class	IP54			
• Working frequency	25%			
• Capacitor	8μF			

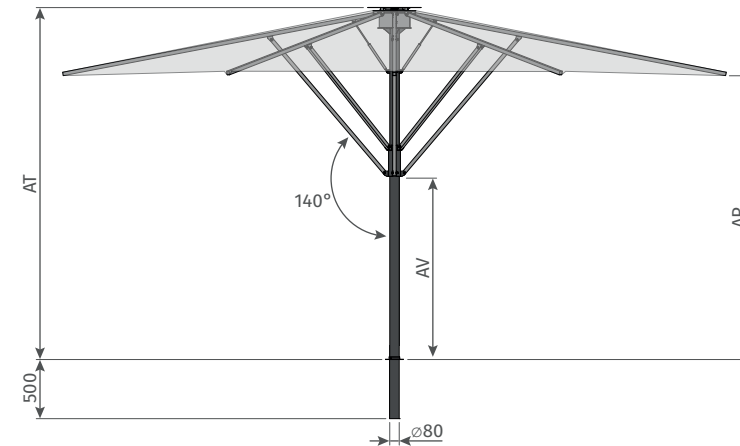
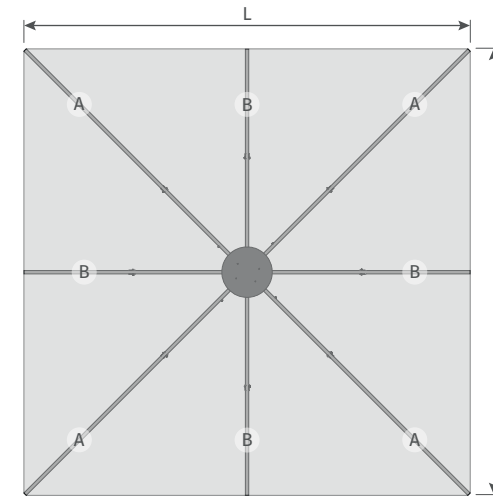
### KIT COMPOSITION

The kit consists of the following components



## 02. AUTOMATISM

### DIMENSIONS



L	AT	AV	AP
2500x2500	2455	1500	2100
3000x3000	2520	1415	2100
3500x3500	2580	1325	2100
4000x4000	2880	1485	2340

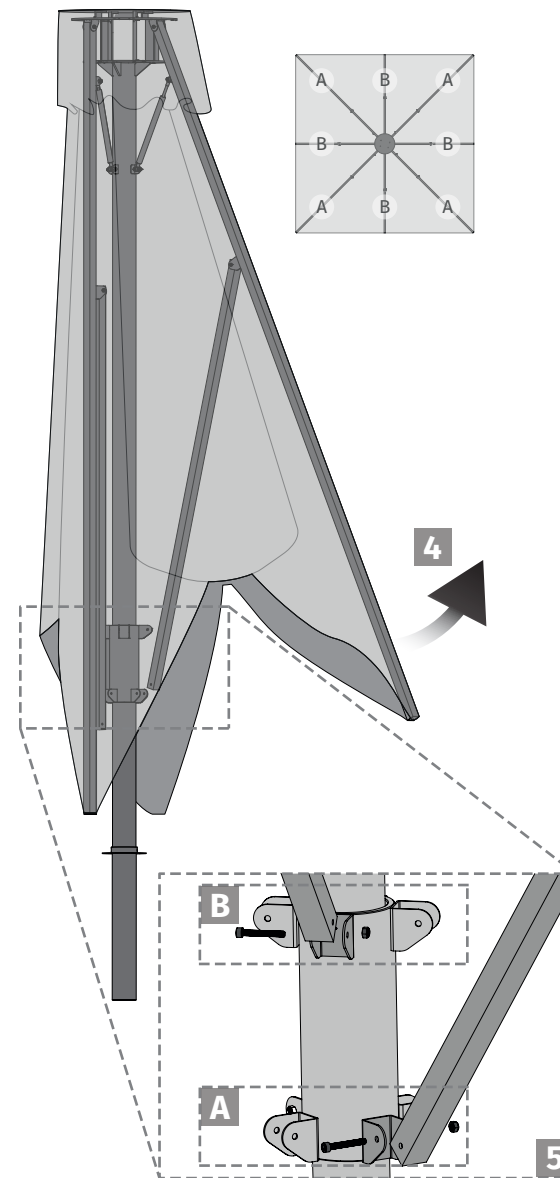
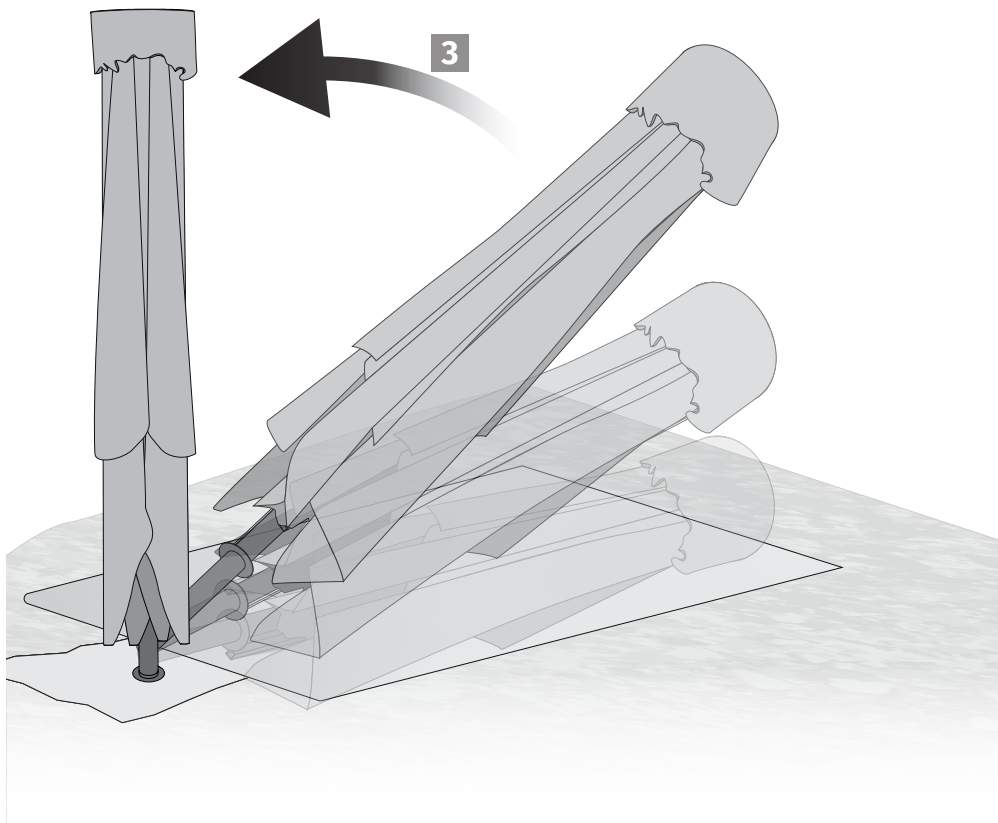
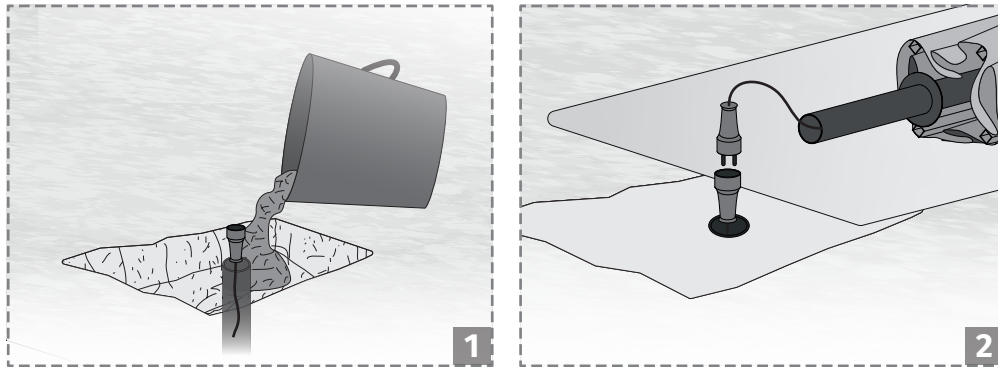
#### LEGENDA:

- L • Width
- AP • Passage height
- AT • Total height
- AV • Shaft height

(Dimensions in mm)

## 03. INSTALLATION

### FIXING THE PARASOL



- 1 Make a hole in the ground.**  
Dig a hole in the ground at least 500mm deep.  
Place the 500mm tube supplied in the Kit in the center of the hole, leaving the power cable with power socket inside.  
Fill the outside of the tube with concrete all the way around to secure it to the ground and let it dry.

- 2 Connect the power socket wires.**  
Lay the parasol on the floor and plug the wires into the power socket.



You must place a card on the floor to protect the parasol before laying it down, so that it does not get dirty or damaged.

- 3 Place the parasol in the built-in tube.**  
After the concrete is dry, lift the parasol to the vertical position and fit it into the tube embedded in the floor.

- 4 Assembly of the ribs**  
Lift the fabric ribs until you can join the stretcher to the runner.  
• "A" (diagonal) ribs must be placed in the lower fittings.  
• "B" (intermediate) ribs must be placed in the upper fittings.

- 5 Tighten the ribs to the central shaft**  
Fasten the ribs to the parasol's runner with the screws and nuts provided in the Kit.

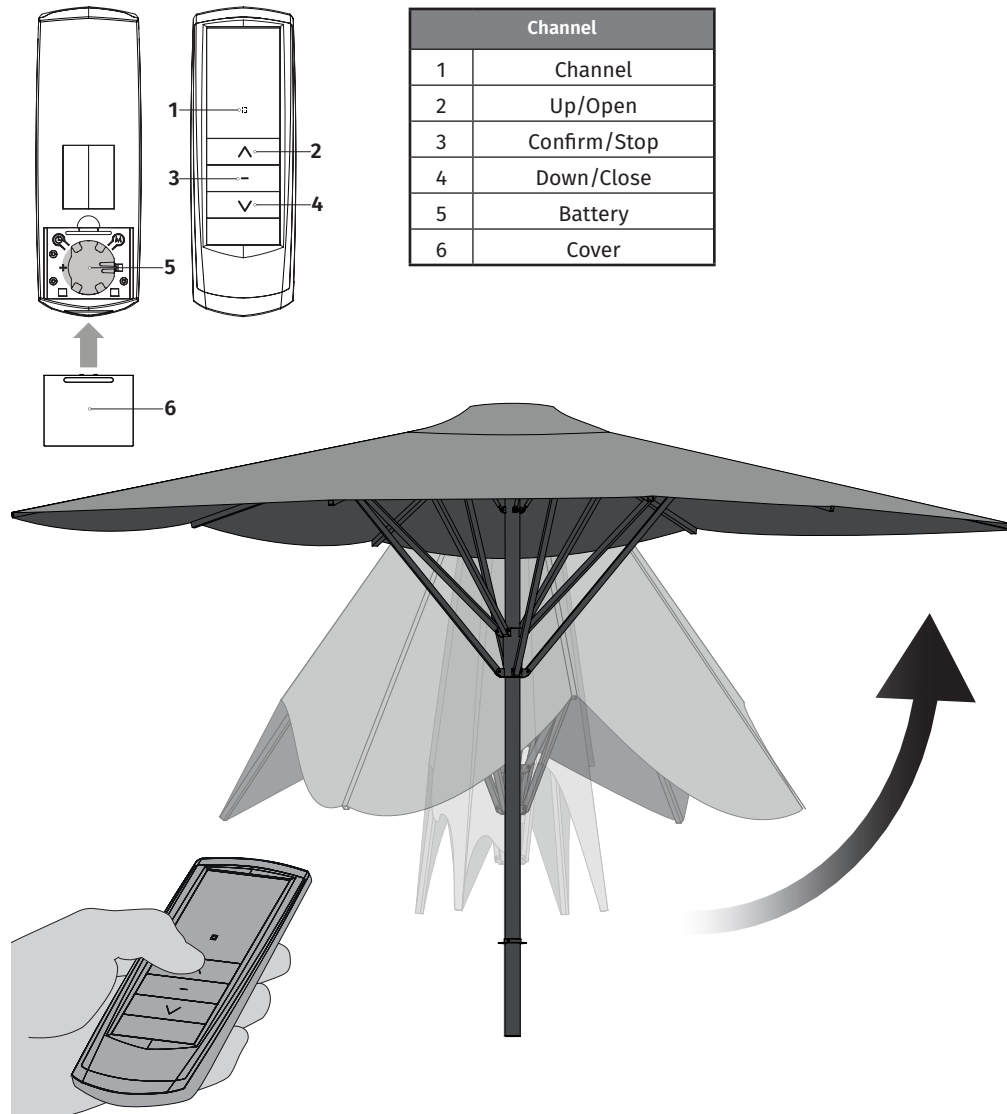


Do this step with the 230V power supply turned off

## 03. INSTALLATION

### OPENING/CLOSING

With the power supply connected, you can now test the automatic movement of the parasol. Use the buttons on the remote control provided in the kit according to the legend below.

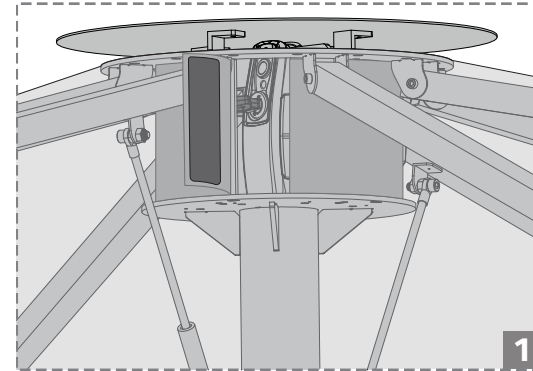


Channel	
1	Channel
2	Up/Open
3	Confirm/Stop
4	Down/Close
5	Battery
6	Cover

## 03. INSTALLATION

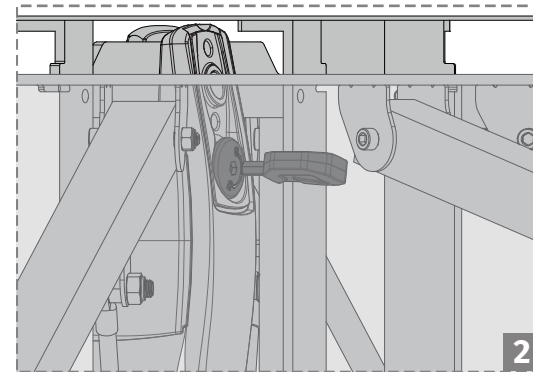
### MANUAL UNLOCK

In the event of a power failure or breakdown, you can manually close the parasol to protect it from the weather.



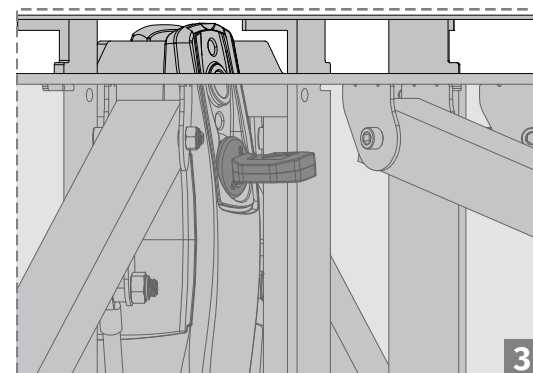
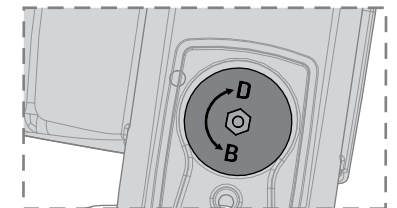
#### 1 Take off the Velcro

Access the top of the Parasol from the inside and remove the Velcro that surrounds the motor.



#### 2 Unlock the automation

Insert the release key into the automation and turn it in direction of "D" to unlock.



#### 3 Block automation

Insert the release key into the automation and turn it in the direction of "B" to lock.

#### LEGEND

D	Unlock automation
B	Lock automation



**WARNING:** Before unlocking the motor, you must hold the ribs, because as soon as they are released, they will close (down) due to the weight.